

Pick-Up Broom



Optional Water Kit



Adjustable arbor controls bristle pressure to the surface, helping to extend bristle life. Bolt on cutting edge cuts through caked on mud while the broom's poly bristles deposit dirt and other debris in the bucket.

- **Sweep, Collect and Dump Material with One Attachment**
- **Sweep Driving Forward or Reverse**
- **Hydraulic Motor Direct Drive**
- **Replaceable Polypropylene Bristle**

Thielen Machine & Welding
TMW

Attachments

320-453-3525

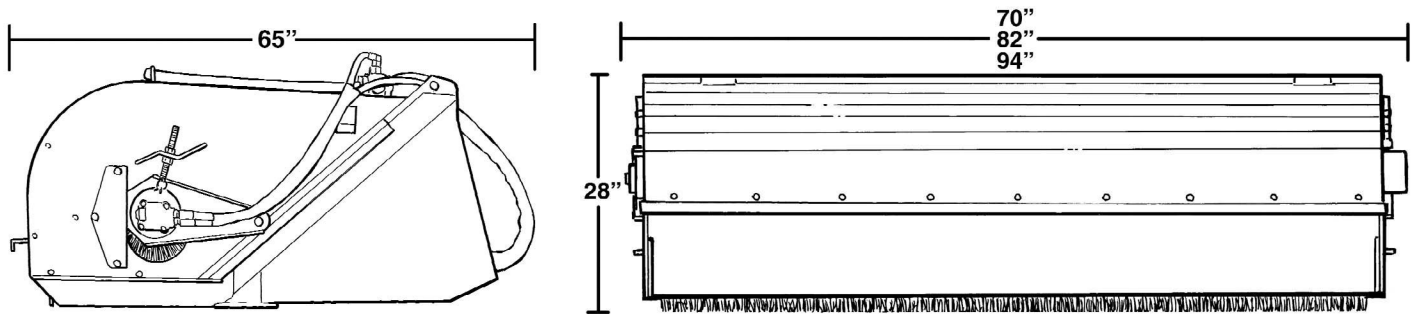
Skid Loader Attachments

The Pick-Up Broom is the ideal attachment for construction, industrial or municipal jobs including parking lots, warehouses, side walks and many other job sites!

Pick-Up Broom Specifications

Model	PUB60"	PUB72"	PUB84"
Overall Width	70"	82"	94"
Sweeping Width	63"	75"	87"
Overall Height	28"	28"	28"
Overall Front to Back	65"	65"	65"
Bristle Diameter	26"	26"	26"
No. of Bristles - Convolutd	35	40	45
Bristle Material - Standard	Polypropylene	Polypropylene	Polypropylene
- Optional	Poly/Steel Mix	Poly/Steel Mix	Poly/Steel Mix
Drive System	Hyd. Motor Direct Drive	Hyd. Motor Direct Drive	Hyd. Motor Direct Drive
Hydraulic Flow Min/Max	15/35	18/35	18/35
Hydraulic Pressure Max	3500 PSI	3500 PSI	3500 PSI
Travel Direction	Forward/Reverse	Forward/Reverse	Forward/Reverse
Approximate Weight	995 lbs	1195 lbs	1395 lbs
Optional Water Kit	Available	Available	Available

Pick-Up Broom Dimensions



- Designed to be used on skid steer loaders with 1300 lb or more lifting capacity.
- Specifications and designs are subject to change without notice.

Your TMW Dealer



522 Meeker Ave. E. • Eden Valley, MN 55329