



SMALL BALES.
BIG PRODUCTION.



PRODUCT CATALOG 2020



INTRODUCING THE ALL NEW BALE BARON 5250 SERIES

- STANDARD IN-CAB ISOBUS CONNECTIVITY
- GREASELESS NITRIDED PINS & COMPOSITE BUSHINGS
- LOWER BALE PICKUP AND ROLLERS
- WIDER STANCE FOR MORE STABILITY
- REDESIGNED CUSHION CYLINDERS
- SWING OUT TWINE CABINET
- GAS SHOCK MOUNTED ACCESS PANELS AND SHIELDS





3
YEAR
LIMITED
WARRANTY



SMALL BALES.

BIG PRODUCTION.





High Demand

Small square bales are regarded as the most manageable bale size for everyday feeding and bedding by equine and speciality livestock owners and today, Marcrest bundles are sought after by feedstores and farmers alike for their easy handling. For years, Marcrest equipment has offered innovative solutions to take the expense out of harvesting and virtually eliminate manual labour at the same time. All so you can maximize the efficiency of your forage operation and meet the demand of your customers.

Hands Free Operation

Handling and storage has never been this easy. All Marcrest equipment has been designed with the producer, transporter, retailer and consumer in mind. What once took hours of manual labour has now almost been completely eliminated.

FULLY LOAD A 13,6M VAN TRAILER

IN **LESS THAN 1 HOUR** - WITHOUT TOUCHING A BALE

Tightly Packed Bundles

Designed to virtually eliminate wasted space, Bale Baron Packs load from floor to ceiling, maximizing your trailer loads to nearly 800 bales in one shipment.

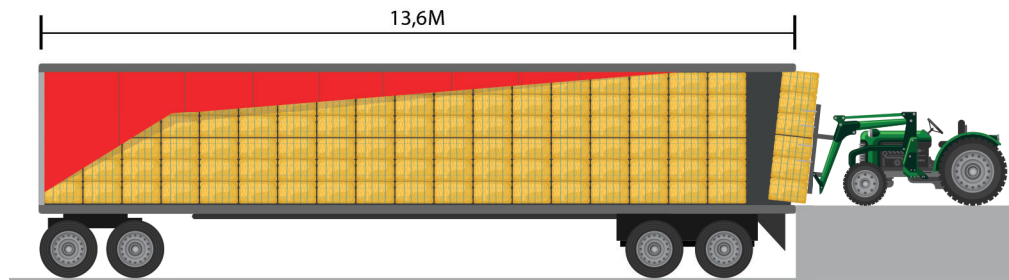
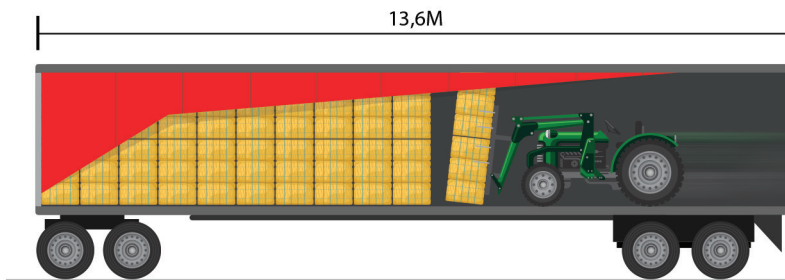
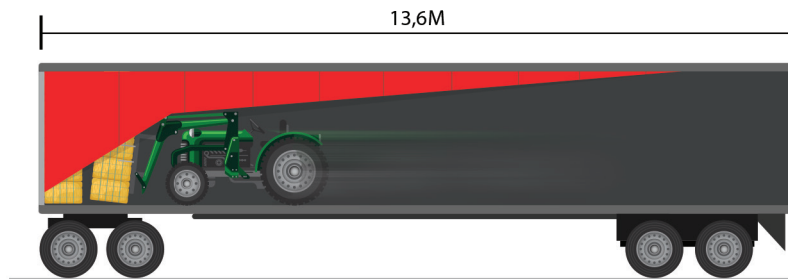
Standard Square Bales

Bale Baron's signature compression system creates 35" bales from the regular 32" size bales. Perfect for loading van, flat deck, or refrigerator trailers.

Local and Long Distance

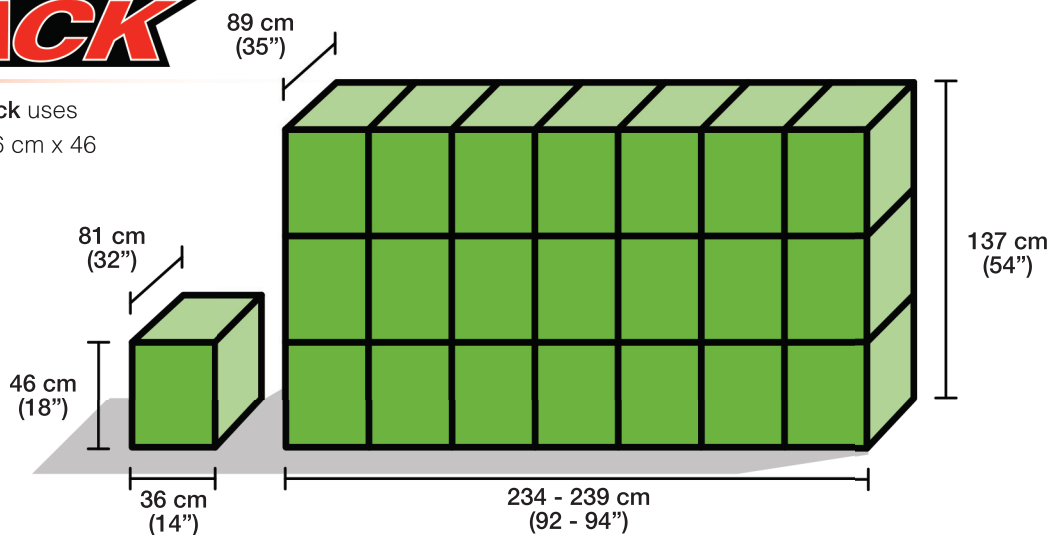
Achieve blazingly quick load times with Bale Baron bundles. Load a 13,6M van trailer in as little as 20 minutes or simply set a bundle in the back of a customer's pickup truck.

IN LESS THAN



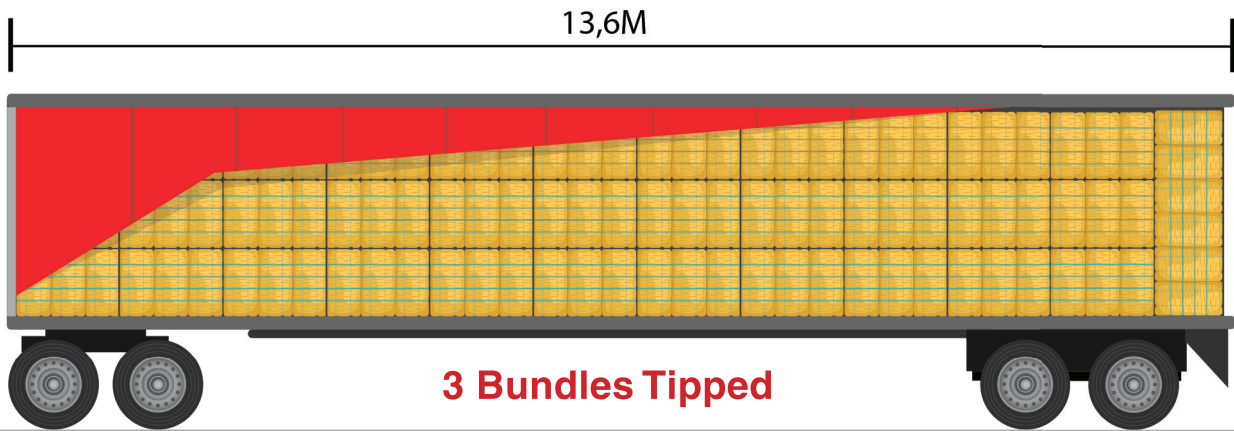
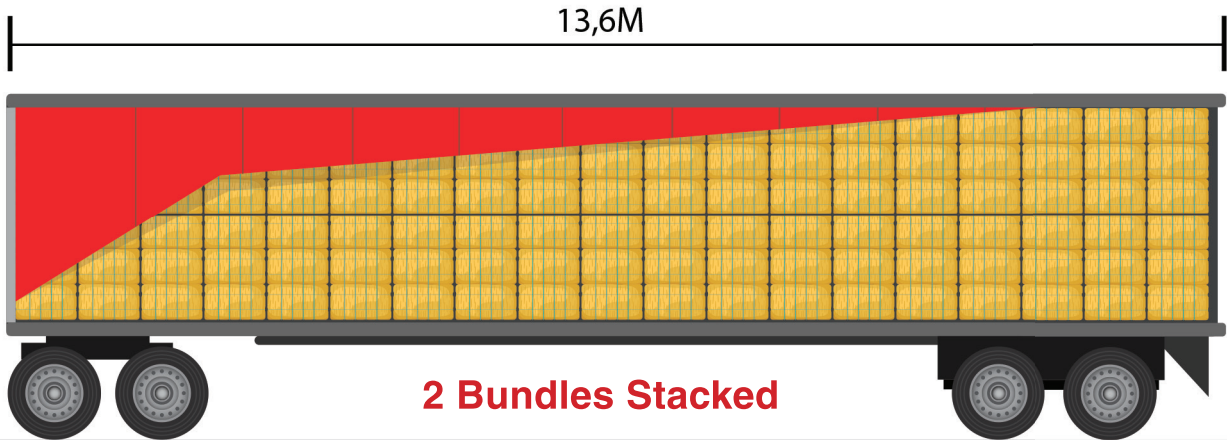
21PACK

The Bale Baron 21 Pack uses standard bales from 36 cm x 46 cm (14" x 18") balers.



WHICH WAY WILL YOU LOAD?

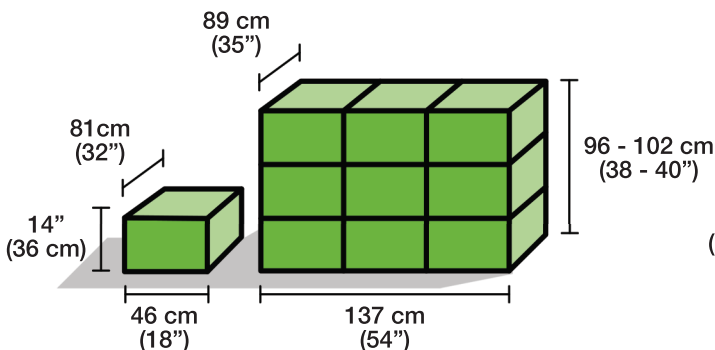
3 bundles tipped over and stacked on top of each other is the same height as 2 bundles stacked upright. Depending on how the hay is brought out of storage, how the customer will unload and the bale handling products available, both methods of loading can be used without sacrificing any space. If a customer wants to unload by hand the strings of the small square bales are more accessible if the bundles are flipped over. Loading/unloading with a bale spear also works better if the bundles are flipped over.



9PACK

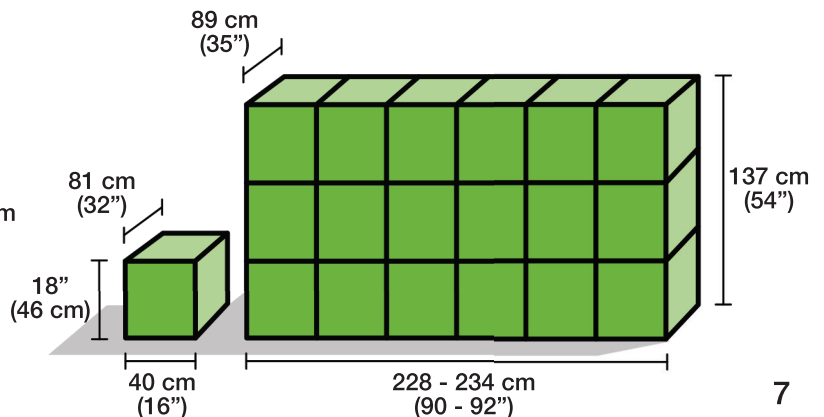
With optional telescoping endgates, the **Bale Baron 9 Pack** uses standard bales from 36 cm x 46 cm (14" x 18") balers. Great for making high-moisture wrapped forage bales.

* Optional Equipment Required



18PACK

The **Bale Baron 18 Pack** uses standard bales from 40 cm x 46 cm (16" x 18") balers. With optional telescoping endgates, make 18 packs with 36 cm x 46 cm (14" x 18") balers.



HOW IT WORKS

THE 4 MAIN STAGES OF THE BALE BARON PROCESS

Small Bale Convenience Meets Large Scale Efficiency

A full row consists of three bales that will build a pack of 21, 18 or 9 bales in total. Once the injector positions the last bale in place, the Bale Baron compresses and ties the pack together using a Rasse Knotter. As the next bundle is formed the pack is pushed out of the chamber, rolls down the ramp and is gently placed on the ground.

STAGE 1

In-field Pick up

No gathering chains! Each bale is gently lifted by vertical rollers, placed on a belt, and conveyed to the rotary table. Simply steer the Bale Baron unit in place and the guides ensure the bale enters the belt conveyor perfectly. Trail models have an articulated chute to guide bales directly off the baler.



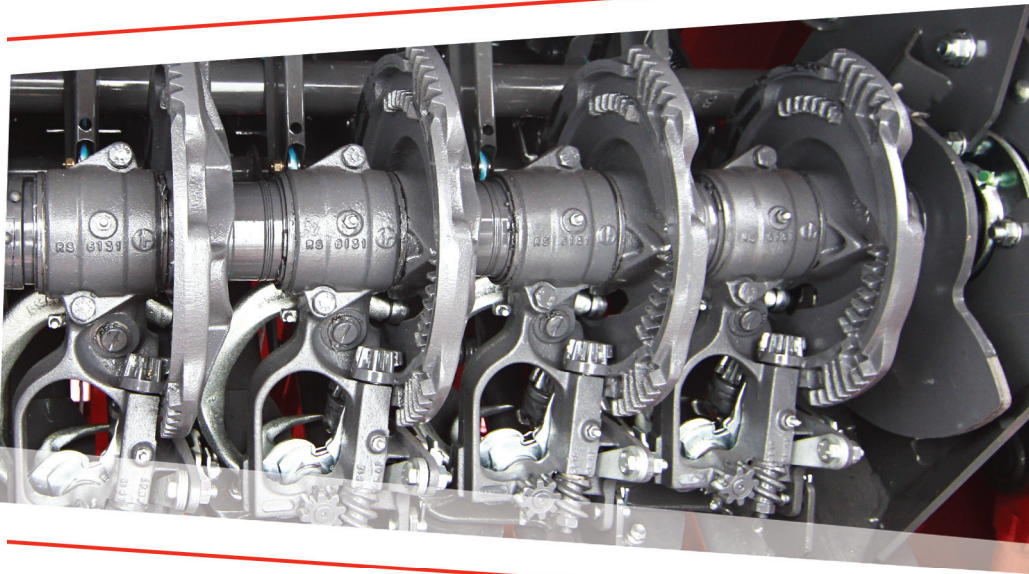
STAGE 2-3

Staging

A perforated turntable gently rotates each bale into position. The spacer bar prevents bales from jamming together.

Loading

The 2-stage injector consecutively pushes each bale into the chamber inserting 3 bales into a stack. Three-bale stacks are consecutively pushed into the chamber by the plunger to form a bundle.



STAGE 4

Tie Cycle

Using the double knot system, a Raspe knotter ties the large bundle together with twine to safely and securely bind the pack. During the tie cycle the endgates close, plunger compresses bundle, and the knotter engages and ties off bundle.

STAGE 5

Ejection

Once complete, the endgates open and as the next bundle is being formed, the newly tied bundle exits the chamber onto the sloped roller ramp which assists with gentle placement on the ground.





THE BALE BARON 4000 SERIES

The 4250T and 4250P are Marcrest's newest redesign of our 4000 Series Bale Baron. Based on the feedback of our valued Bale Baron customers, our design team has made several updates and improvements over the previous 4000 Series models.

The 4250T trail behind model has remained a popular choice as a one pass system especially suited to smaller acreages while the 4250P in-field pick up model is well suited for larger acreages and will keep up to 2 balers. With multiple choices for power options, the 4000 Series of Bale Baron can operate with any 100+ hp tractor.





Bale Baron

4250T

TRAIL BEHIND



Bale Baron

4250P

IN-FIELD PICKUP



NEW DESIGN FEATURES

- Standard In-cab ISOBUS Connectivity
- Greaseless Nitrided Pins & Composite Bushings
- Lower Bale Pickup and Rollers
- Wider Stance for More Stability



ALL NEW BALE BARON 5000 SERIES

Introducing the completely redesigned Bale Baron 5250. Building on the original design principles that Bale Baron owners appreciate, the new 5250 models feature many impressive upgrades designed to improve productivity and serviceability.





Bale Baron

5250T

TRAIL BEHIND



Bale Baron

5250P

IN-FIELD PICKUP



NEW DESIGN FEATURES

- Standard In-cab ISOBUS Connectivity
- Greaseless Nitrided Pins & Composite Bushings
- Lower Bale Pickup and Rollers
- Wider Stance for More Stability
- Wide Euro Style Tires
- Redesigned Cushion Cylinders
- Swing Out Twine Cabinet
- Gas Shock Mounted Access Panels and Shields



MODEL	4250T	4250P
Isobus Compatible	Standard	Standard
Greaseless Pins & Composite Bushings	Standard	Standard
Trails Behind Baler	Standard	Optional Receiving Platform Required, N/A with PTO pump kit
Surge Brakes	Standard	Optional
Air Brakes	Optional	Optional
Hydraulic Brakes	Optional	Optional
Bale Size: 36cm x 46cm (14"x18") Bale – 21 Bale Bundle 41cm x 46cm (16"x18") Bale – 18 Bale Bundle	Standard	Standard
Closed Center Hydraulic System	Standard	Standard
Load Sensing System	Standard	Standard
Open Center Hydraulic System	Optional	Optional
Hydraulic Oil Cooler	Standard with Power Units, otherwise N/A	Standard with Power Units, otherwise N/A
Horsepower Minimum	100 hp	100 hp
Hydraulic Flow Minimum	80 L/mn (20 gpm)	80 L/mn (20 gpm)
Hydraulic Flow Recommended	95 - 113 L/mn (25 - 30 gpm)	95 - 113 L/mn (25 - 30 gpm)
Max. Permissible Hydraulic Flow	113 L/mn (30 gpm)	113 L/mn (30 gpm)
Remote SCV Required	0 sets	2 sets
Power Beyond with Load Sensing (Tractor Requirement)	Required when using Tractor Hydraulics, not required with Power Units	
Diesel Powered Hydraulic Power Unit	N/A	N/A
113 L/mn (30 gpm) PTO Powered Unit	N/A	Optional
150 L/mn (40 gpm) PTO Powered Unit	N/A	N/A
3PH mounted 113 L/mn (30 gpm) PTO Power Unit	Optional	Optional
3PH mounted 150 L/mn (40 gpm) PTO Power Unit	N/A	N/A
Base Weight	4700 kg (10,500 lbs)	5250 kg (11,575 lbs)
Weight with PTO Pump Kit	N/A	5600 kg (12,350 lbs)
Weight with Engine Power Unit	N/A	N/A
Capacity	400 / hr @ 80 L/mn (20 gpm) 600 / hr @ 95 L/mn (25 gpm) 800 / hr @ 113 L/mn (30 gpm)	400 / hr @ 80 L/mn (20 gpm) 600 / hr @ 95 L/mn (25 gpm) 800 / hr @ 113 L/mn (30 gpm)
Overall Length	770 cm (303 in)	996 cm (392 in)
Wheelbase Length	318 cm (125 in)	318 cm (125 in)
Width with 15.0/55-17 10 Ply Tires	250 cm (98 in)	250 cm (98 in)
Width with 19.0/45-17 10 Ply Tires	255 cm (101 in)	255 cm (101 in)
Height (Railings Collapsed)	N/A	N/A
Height (Railings Raised)	323 cm (127 in)	323 cm (127 in)



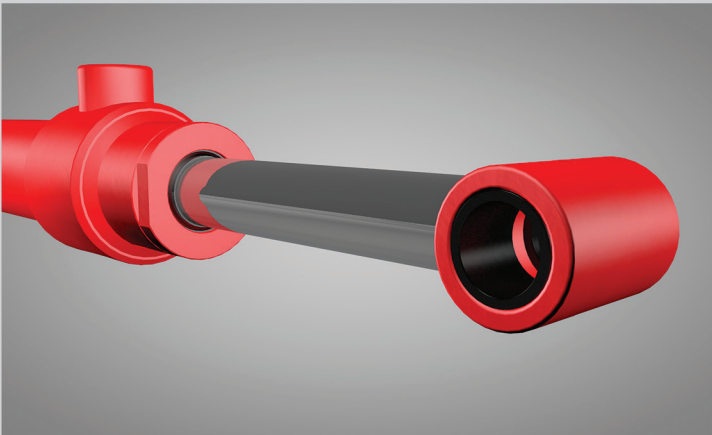
MODEL	5250T	5250P
Isobus Compatible	Standard	Standard
Greaseless Pins & Composite Bushings	Standard	Standard
Trails Behind Baler	Standard	Optional Receiving Platform Required, N/A with PTO pump kit
Surge Brakes	Standard	Optional
Air Brakes	Optional	Optional
Hydraulic Brakes	Optional	Optional
Bale Size: 36cm x 46cm (14"x18") Bale – 21 Bale Bundle 41cm x 46cm (16"x18") Bale – 18 Bale Bundle	Standard	Standard
Closed Center Hydraulic System	Standard	Standard
Load Sensing System	Standard	Standard
Open Center Hydraulic System	Optional	Optional
Hydraulic Oil Cooler	Standard with Power Units, otherwise N/A	Standard with Power Units, otherwise N/A
Horsepower Minimum	120 hp	120 hp
Hydraulic Flow Minimum	95 L/mn (25 gpm)	95 L/mn (25 gpm)
Hydraulic Flow Recommended	113 - 170 L/mn (30 - 45 gpm)	113 - 170 L/mn (30 - 45 gpm)
Max. Permissible Hydraulic Flow	170 L/mn (45 gpm)	170 L/mn (45 gpm)
Remote SCV Required	0 sets	2 sets
Power Beyond with Load Sensing (Tractor Requirement)	Required when using Tractor Hydraulics, not required with Power Units	
Diesel Powered Hydraulic Power Unit	Optional	Optional
113 L/mn (30 gpm) PTO Powered Unit	N/A	N/A
150 L/mn (40 gpm) PTO Powered Unit	N/A	Optional
3PH mounted 113 L/mn (30 gpm) PTO Power Unit	N/A	N/A
3PH mounted 150 L/mn (40 gpm) PTO Power Unit	Optional	Optional
Base Weight	5,300 kg (11,700 lbs)	5,800 kg (12,775 lbs)
Weight with PTO Pump Kit	N/A	6,150 kg (13,560 lbs)
Weight with Engine Power Unit	5,760 kg (12,700 lbs)	6,250 kg (13,775 lbs)
Capacity	400 / hr @ 80 L/mn (20 gpm) 600 / hr @ 95 L/mn (25 gpm) 800 / hr @ 113 L/mn (30 gpm) 1000 / hr @ 150 L/mn (40 gpm)	400 / hr @ 80 L/mn (20 gpm) 600 / hr @ 95 L/mn (25 gpm) 800 / hr @ 113 L/mn (30 gpm) 1000 / hr @ 150 L/mn (40 gpm)
Overall Length	770 cm (303 in)	996 cm (392 in)
Wheelbase Length	318 cm (125 in)	318 cm (125 in)
Width with 15.0/55-17 10 Ply Tires	N/A	N/A
Width with 19.0/45-17 10 Ply Tires	255 cm (101 in)	255 cm (101 in)
Height (Railings Collapsed)	323 cm (127 in)	323 cm (127 in)
Height (Railings Raised)	343 cm (135 in)	343 cm (135 in)

FEATURES



In-Cab ISOBUS Connectivity

The Bale Baron now comes standard with full ISOBUS connectivity, giving the operator full control and visibility over the bundling process, right from the cab. Watch each bundle build as every bale is tracked and counted - both in auto and manual modes - for accuracy every time. The Bale Baron will work with and without ISOBUS. If your tractor does not have an ISOBUS display, an optional display is available. The Bale Baron will also work without ISOBUS using the standard in-cab control.



Redesigned Cushion Cylinders

The cushion cylinders have been redesigned for extended life and improved reliability.

*5250 models only



Gas Shock Mounted Pickup Shields

For easier servicing of the pickup unit, the side shield access panels are gas shock mounted.

*4250P & 5250P models only



Swing Out Twine Cabinet

Gain full service access to the main components of the Bale Baron with a convenient swing out twine cabinet and shield. A simple release latch allows you to swing the twine cabinet open, no tools required.

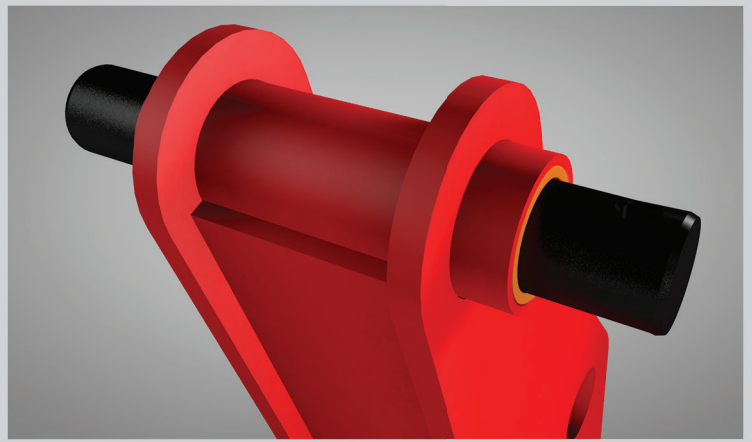
*5250 models only



Gas Shock Mounted Access Panels

For easier servicing, most panels are gas shock mounted.

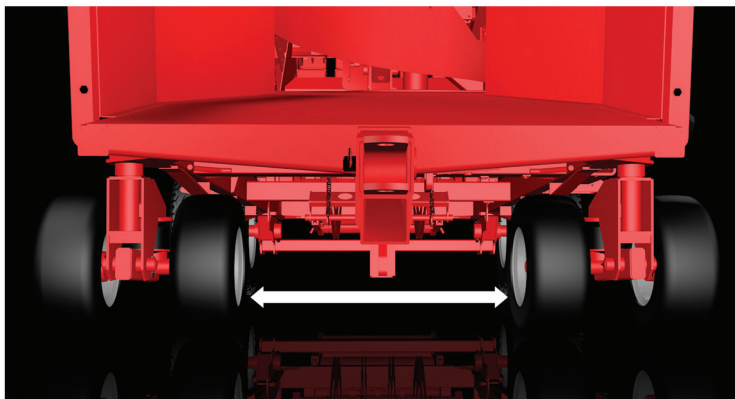
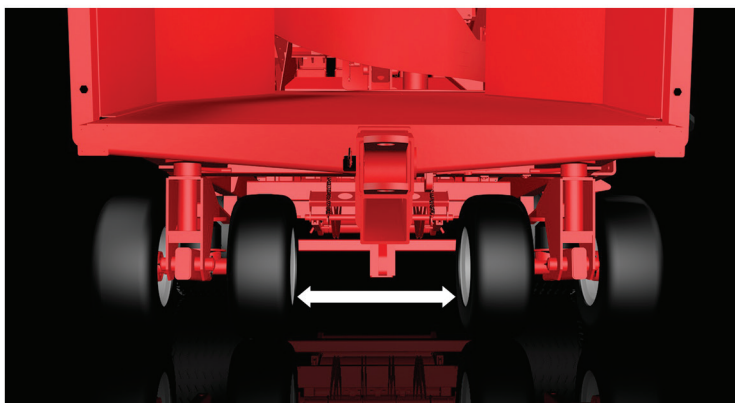
*5250 models only



Greaseless Nitrided Pins & Composite Bushings

To improve reliability and to help make servicing a Bale Baron easier, all pivot points now use greaseless and nitride treated pins as well as composite bushings.

FEATURES



Wider Stance

To improve the stability of the Bale Baron, the wheel base has been widened.



Lower Bale Pickup

To increase production on all in-field pickup models, the front bale pickup is now lower to the ground. We've also increased the length of the vertical rollers for more surface engagement. This means more grip for picking up bales.



Turn Table

The aggressive traction of the Bale Barons perforated turn-table grabs the bales as they exit the baler giving excellent side hill performance.



Dual Caster Wheels

Two dual heavy-duty front caster wheels for increased stability and flotation. Hollow rubber block suspension on casters for smooth trailing.



Spring Assist Roller Ramp

Once tied, each bundle exits the Bale Baron down the roller ramp and gently onto the ground. The roller ramp is equipped with a compression spring to assist the operator when pinning up the ramp. Add a roller chute extension for stationary baling.



Rasse Knotter

The Bale Baron uses the proven low maintenance Rasse knotter for reliability and easy serviceability. Sealed knotter components keep dirt out and grease in, requiring grease only once a year, or every 2,000 bundles. Missed ties have an audible alarm.



Large Twine Cabinets

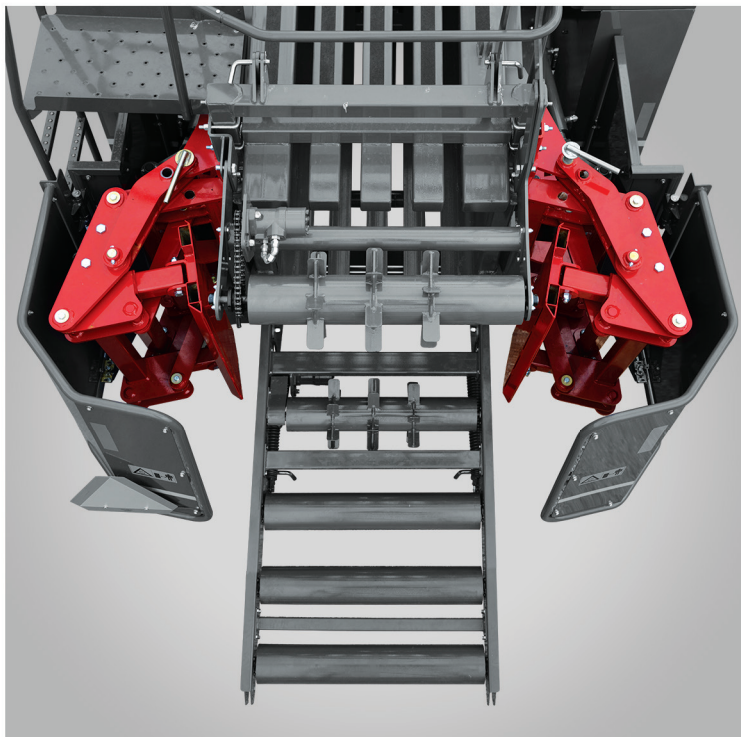
Storage for 16 balls of twine means you can bundle more than 5000 small square bales before needing to refill the cabinets. Twine is one of the most efficient binding options available. Twine is easy to buy, cost effective and user friendly for producer and end user.



Smart Solve

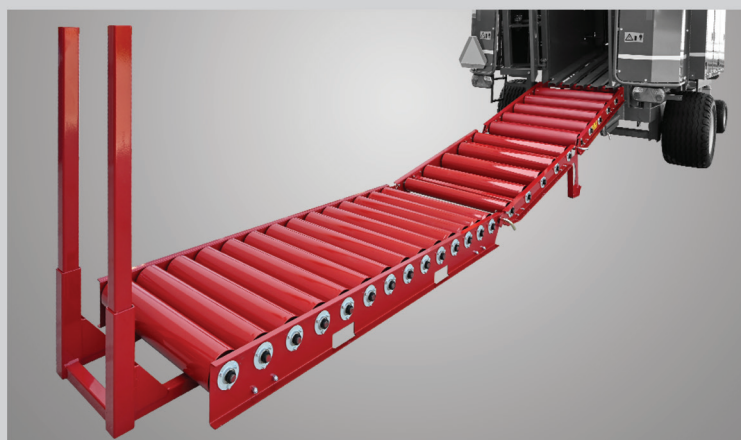
The Smart/Solve system runs using a PLC that constantly monitors and warns the operator when needed. Smart/Solve provides user friendly command and alarm messages for the operator.

OPTIONS



Telescoping Endgates

This kit allows you to choose the standard 21Pack, 18Pack or 9Pack bundle. The kit consists of telescoping endgates which change from 21Pack to 18Pack or 9Pack with the pull of a pin. Hydraulic expeller rollers are needed to move the 9Pack onto the roller ramp and are recommended for the 18Pack bundle.



Stationary Roller Extensions

Get the most out of your stationary operation with roller extensions that pin directly to the roller chute on the Bale Baron. The sealed bearing, steel rollers gently guide each bundle away from the Bale Baron and stop level for easy handling with a grapple.

ISOBUS Display Unit

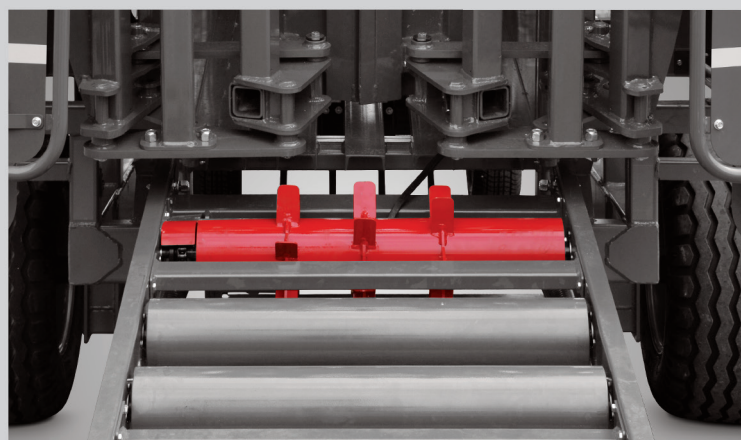
If your tractor does not have ISOBUS, Marcrest offers an ISOBUS display unit.



Wide Euro Style Tires

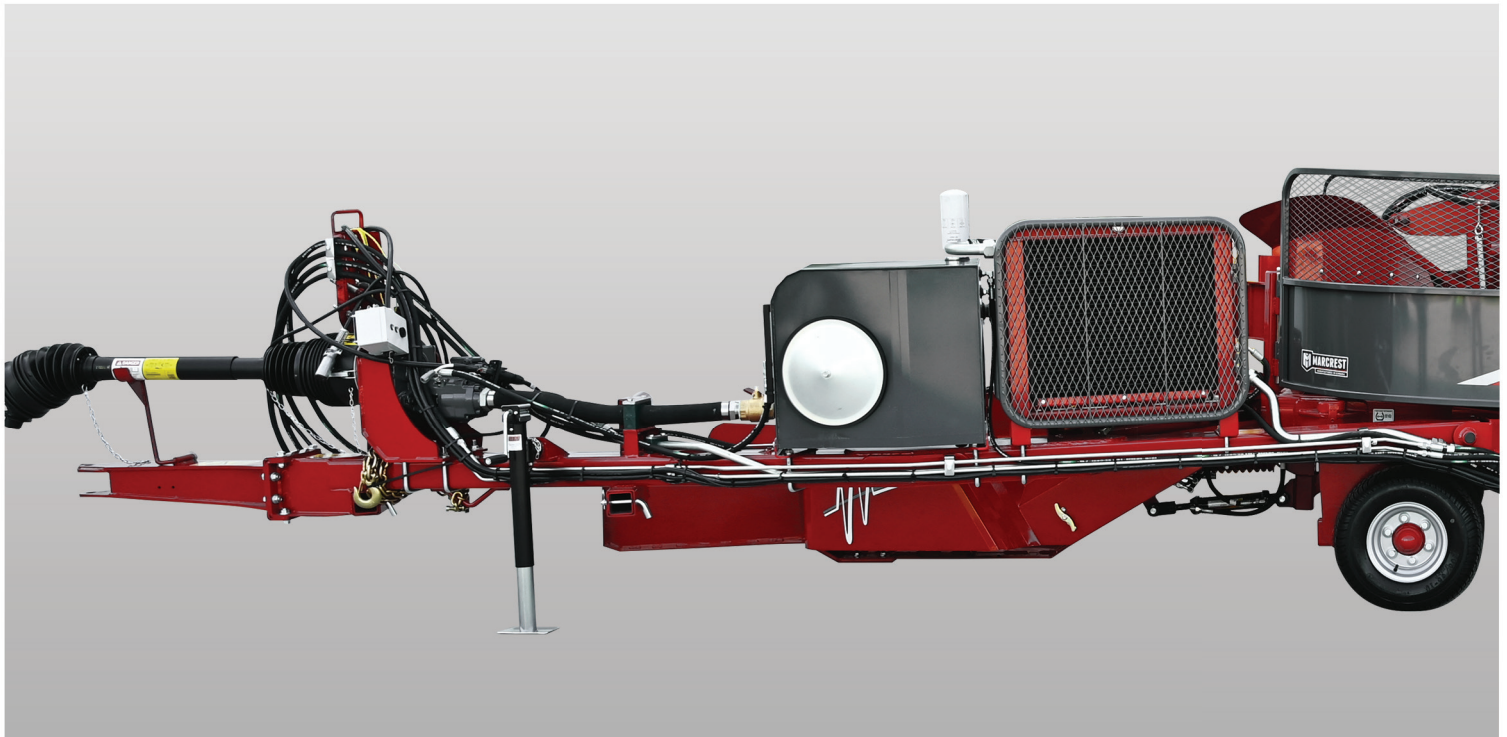
Optional 19/45-17 10 ply tires are available on the rear axle. These wider tires offer increased traction and better flotation in muck soil or wet conditions.

*Optional on 4250 Series. Standard on 5250 Series



Expeller Roller

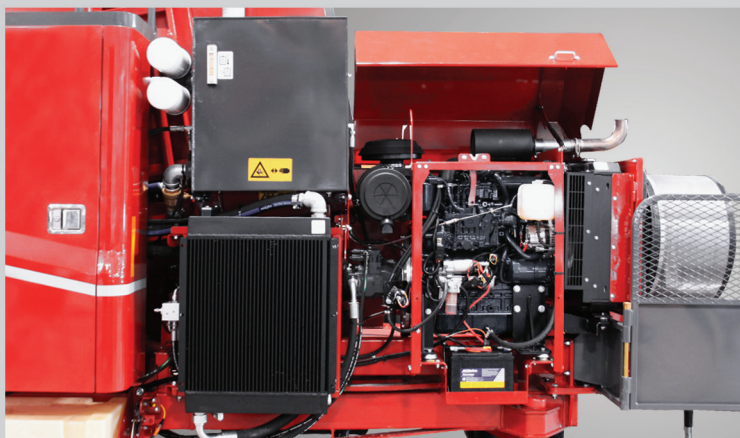
The hydraulically powered expeller roller with steel fingers moves the bundle out of the way before the endgates close. The expeller roller replaces the first roller at the top of the roller chute. For use in a stationary operation or with a 18Pack/9Pack kit.



PTO Pump Kit

The PTO Power Units are designed to make the most of the equipment you have. By transforming PTO power into hydraulic power this unit allows older tractors to be used to run the Bale Baron that may not have the hydraulic capacity but have the horsepower to do the job. The PTO power units are equipped with a variable displacement piston pump with load sensing, a 30 gallon reservoir, and an oil cooler. The PTO power unit utilizes high performance CV joints for chatter free turning. The 30 GPM PTO (4250P model) has a capacity of 800 bales/hr and keeps up with two balers. The 40 GPM PTO (5250P model) has a capacity of 1000 bales/hr and will keep up with two - three balers.

*Pickup models only



Diesel Hydraulic Power Unit

74 hp Kubota turbo diesel power unit. Unit is tier 4 emission compliant and comes with a 40 gpm hydraulic, load sensing pump. A rotary pre-cleaner screen keeps the radiator clear of chaff. No hydraulic remotes are required for the 5250T model. 2 set of hydraulic remotes are required for the 5250P model.



3 Point Hitch Mounted PTO Power Unit

The 3 Point Hitch Mounted PTO Power Unit is designed to be used in conjunction with a baler and trailed Bale Baron. This unit allows older tractors to be used to run the Bale Baron that may not have the hydraulic capacity but have the horsepower to do the job.

BALE HANDLING

The best way to package small bales needs the best way to handle them too. Our Bale Grapples, Spears and Squeezes are designed to work hand in hand with our Packs and also take on all your hay handling needs.







221 cm
(87")

The Claw

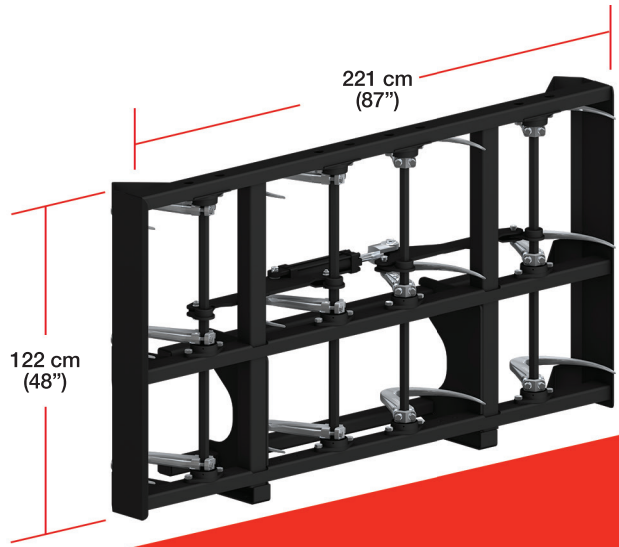
The Claw is a great way to handle two packs of bales at once both safely and securely. The 16 hooks grab and clamp onto the face of Bale Baron bundles and large square bales with a tight hold, allowing precision control and placement. The backguard ensures additional safety while handling two bundles or can be removed for handling single bundles in tight spaces. The Claw works especially well for loading and unloading van trailers where clearance on the sides could be an issue.

124 cm
(49")



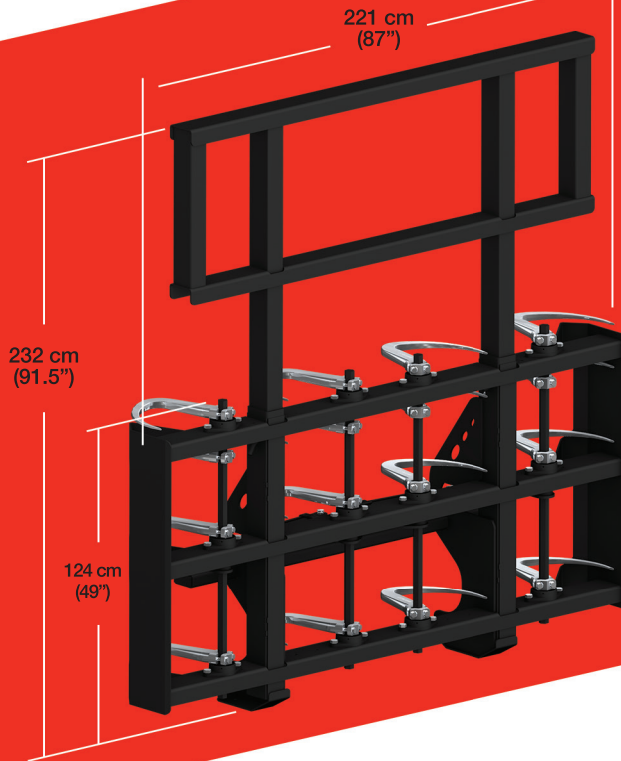
EcoClaw

Lightweight for small loaders and skidsteers, the EcoClaw offers a low-cost bale handling alternative. Featuring 12 hooks, the EcoClaw capably handles one bundle at a time with precision control and placement.



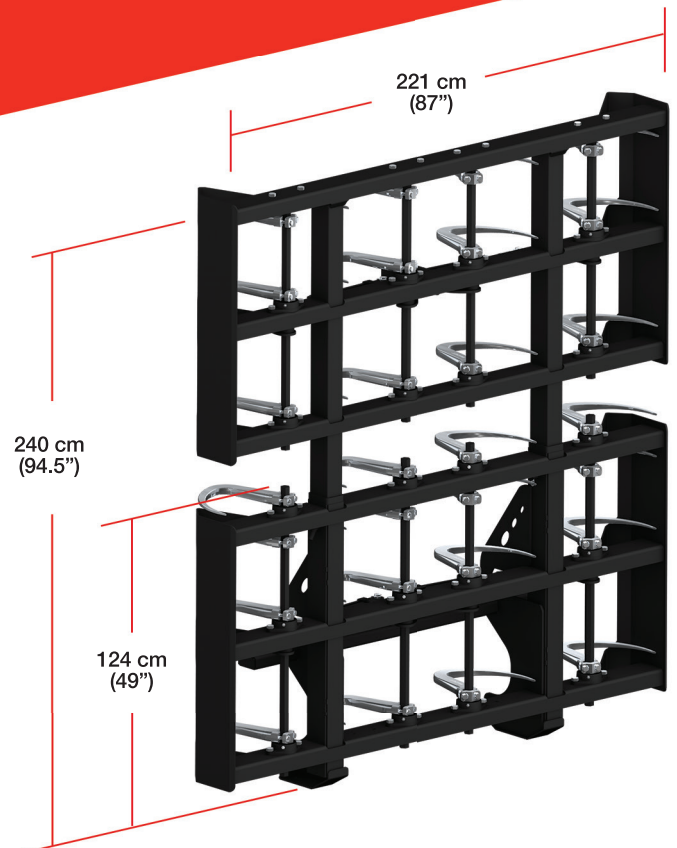
MegaClaw

With its heavy-duty frame designed for end loading van trailers in the field without a dock, the MegaClaw is the ultimate solution for your bale handling needs. Featuring 16 hooks to grab and clamp onto the face of Bale Baron bundles and large square bales with a tight hold. The MegaClaw allows for precision control and placement. The backguard ensures safety while handling two bundles or can be removed for handling single bundles in tight spaces.



MaxiClaw

Take your bale handling productivity to the max with the MaxiClaw. Featuring a heavy-duty frame for exceptional durability, the claws on the powered backguard of the MaxiClaw enable the operator to also grab the top bundles in a stack. With more contact points on the bales, MaxiClaw can easily move stacks of three 3 x 4 large square bales or two bundles.

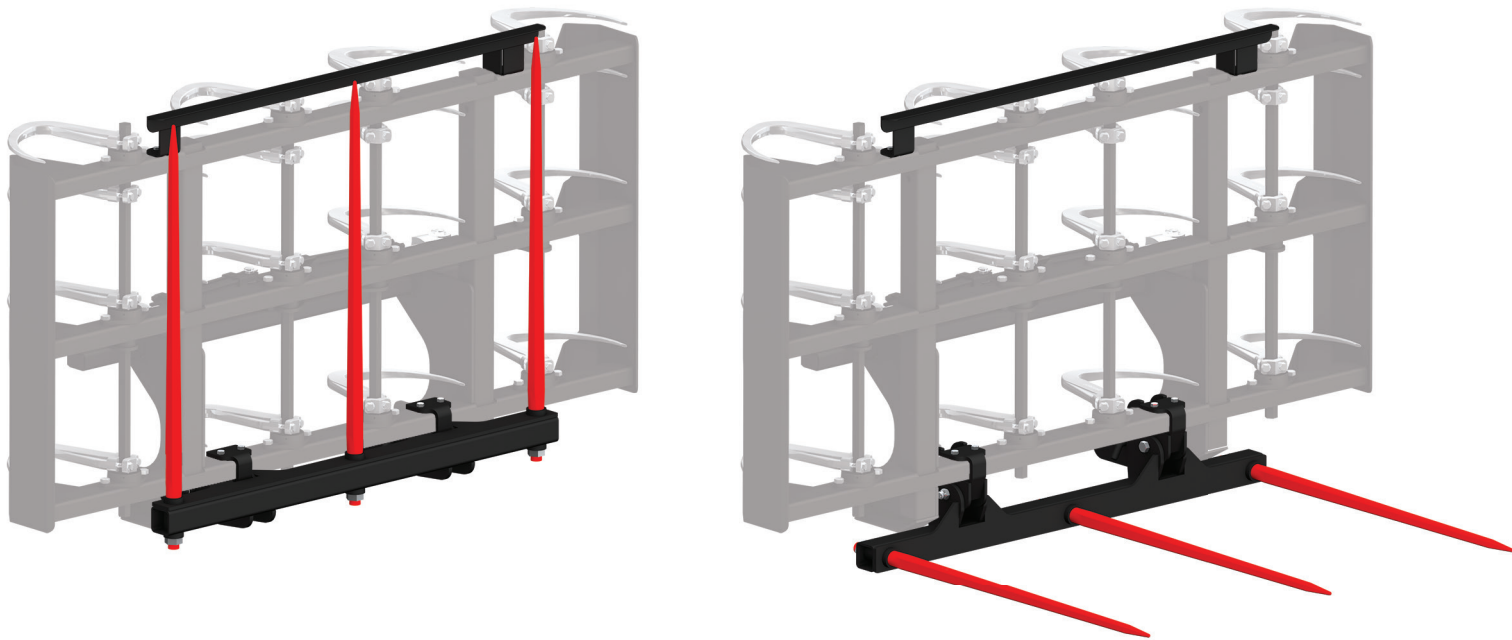


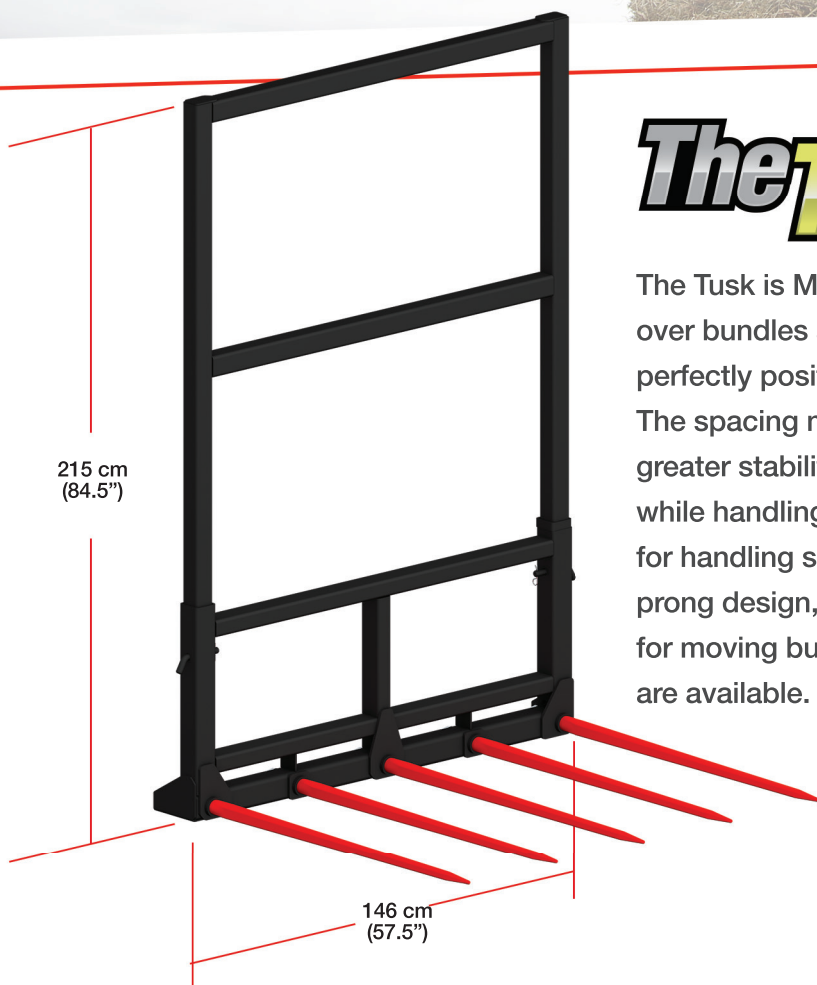


Bale Spear Add-On

Give your Claws spears. Designed to work with The Claw, Mega Claw and Maxi Claw this bolt on spear attachment comes equipped with three spears positioned strategically to avoid contact with the hooks.

Offering the versatility of moving bundles in both the upright and flipped over positions, the spear attachment flips out of the way and locks into place when not in use. The rugged spears make quick work of handling bundles and are also tough enough to take on large square bales.





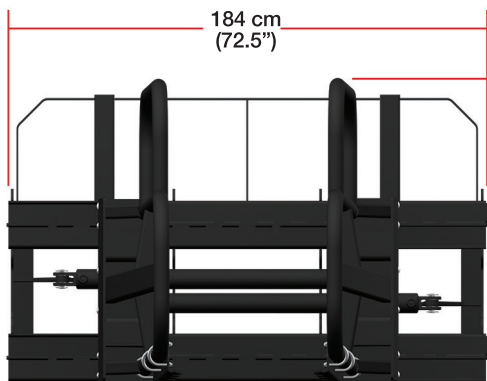
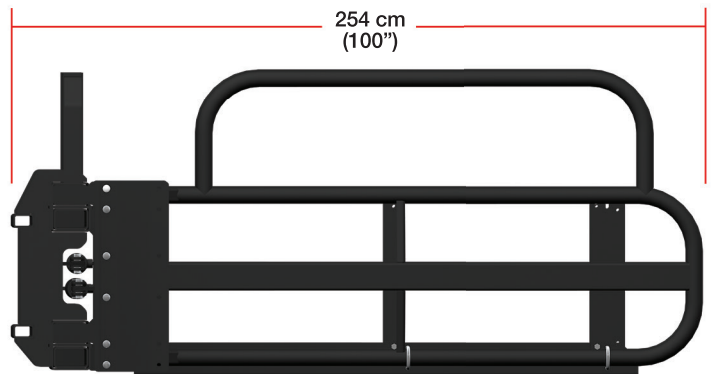
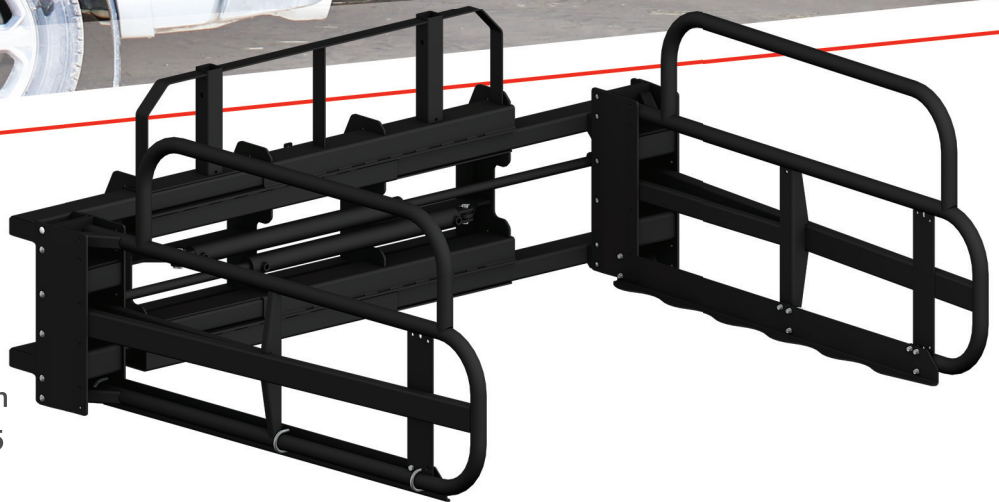
TheTusk

The Tusk is Marcrest's custom-designed bale spear for flipped over bundles and large square bales. The strong prongs are perfectly positioned to spear the centre of the bales in a bundle. The spacing makes it easy to avoid getting between bales for greater stability when lifting packs. The backguard ensures safety while handling two to three packs at a time or can be removed for handling single bundles in tight spaces. Available in a 3, 4 or 5 prong design, The Tusk also features standard 1.25 m (49") tines for moving bundles to spear all three layers of bales. Shorter tines are available.



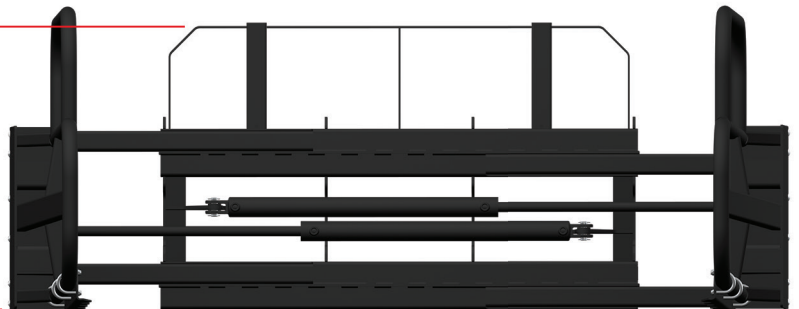
The Squeeze

The Squeeze is designed with long 2.1 m (7 foot) arms that open up to 2.59 m (8.5 feet), allowing you to easily handle bale packs or square bales. Equipped with angle iron grips for handling unwrapped dry bundles, the Squeeze grabs bundles from either the end or the side. The Squeeze is ideal for loading a bundle into the back of a pickup truck or crosswise on a flatbed trailer. With no sharp edges on the arms and by removing the angle iron grips, The Squeeze can also easily handle wrapped bales.



112 cm
(44")

110 cm
(43.5")



297 cm
(117")

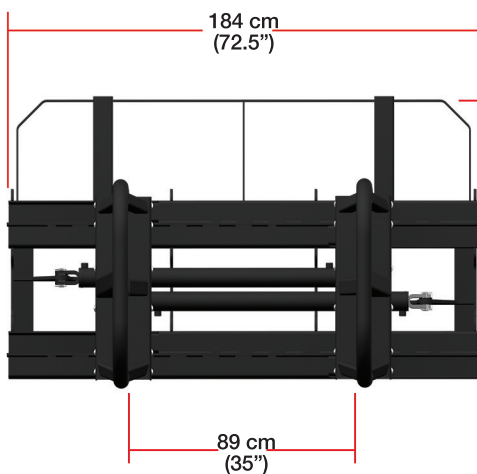
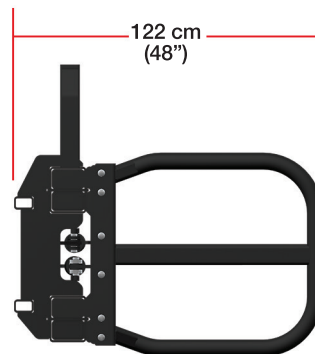
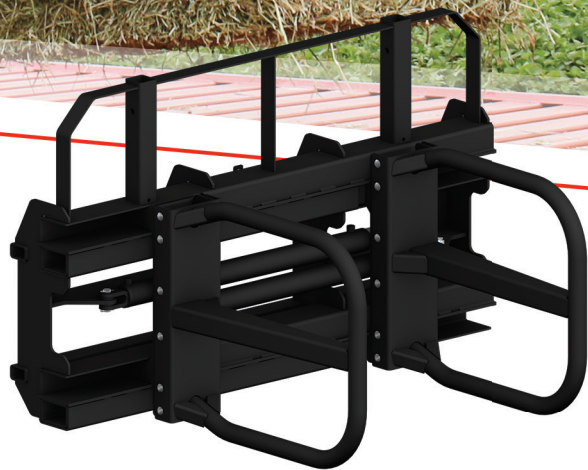
254 cm
(100")

74 cm
(29")

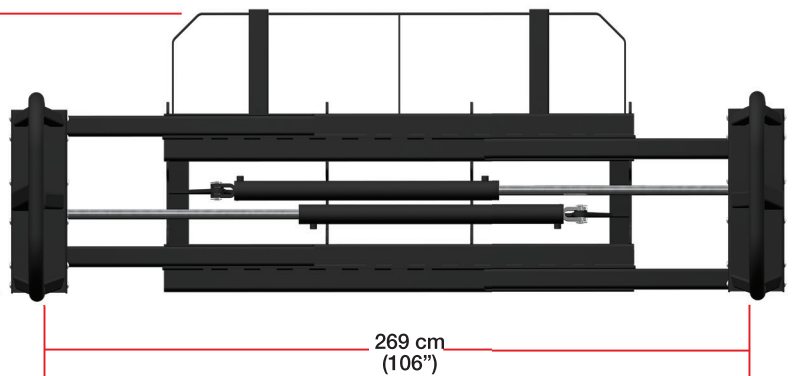


The Pinch

Like The Squeeze, The Pinch is a hydraulic bale squeeze designed to grab square bales and bale packs from the sides. Equipped with 0.91 meters (3 foot) arms which open up to 2.59 meters (8.5 feet), the Pinch easily grabs bundles and large bales from the side. With no sharp edges on the arms, the Pinch allows for outstanding handling of wrapped bales and is ideal for handling wrapped 9-pack baleage bundles.



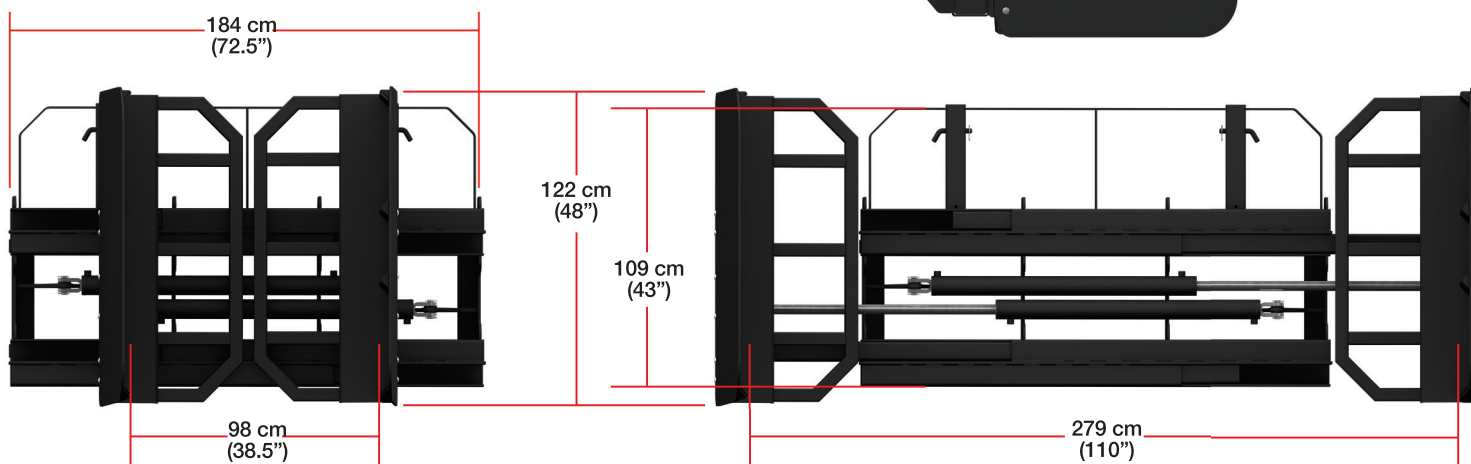
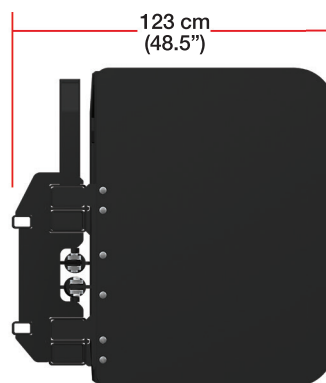
112 cm
(44")





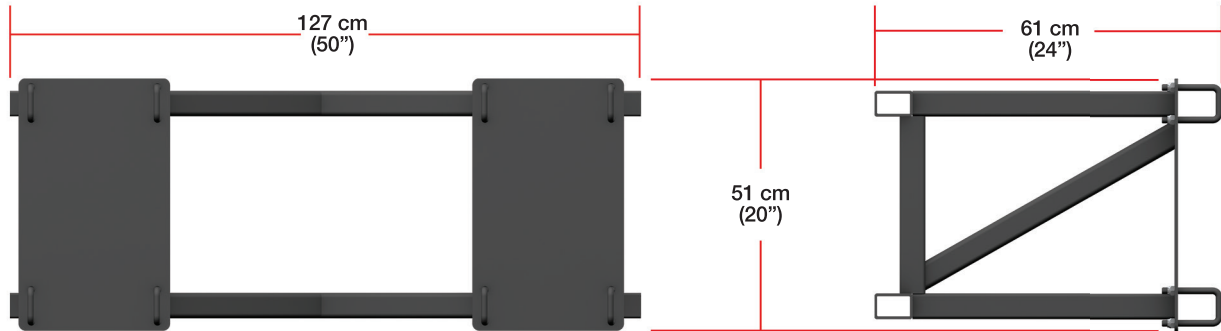
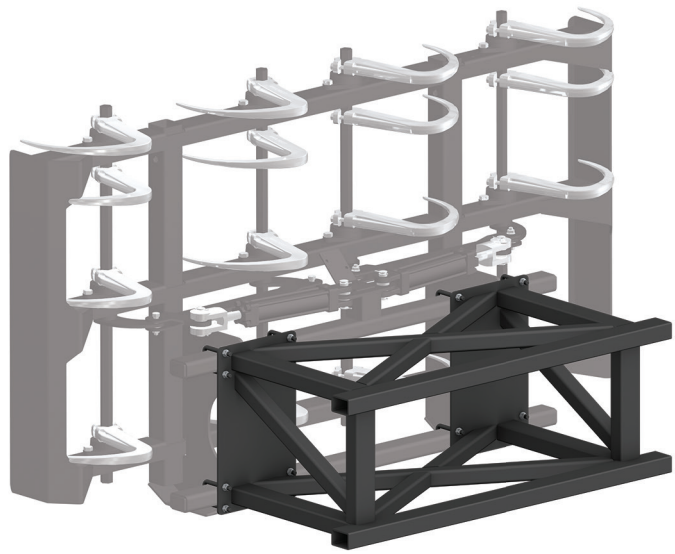
The Clam

A bale squeeze with flat plate arms designed specifically for loading bundles into van trailers, the Clam demonstrates an extra level of versatility since it can also be used for wrapped bales.



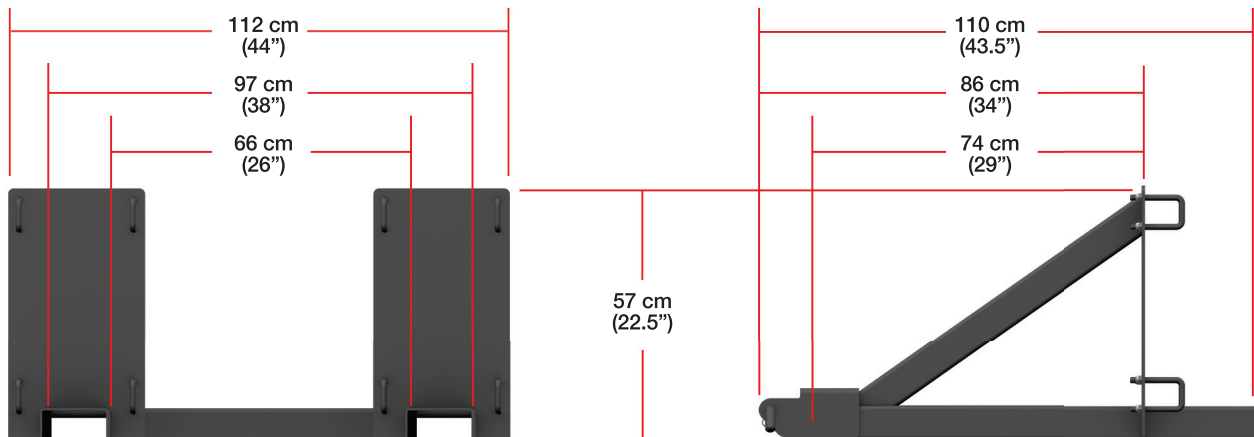
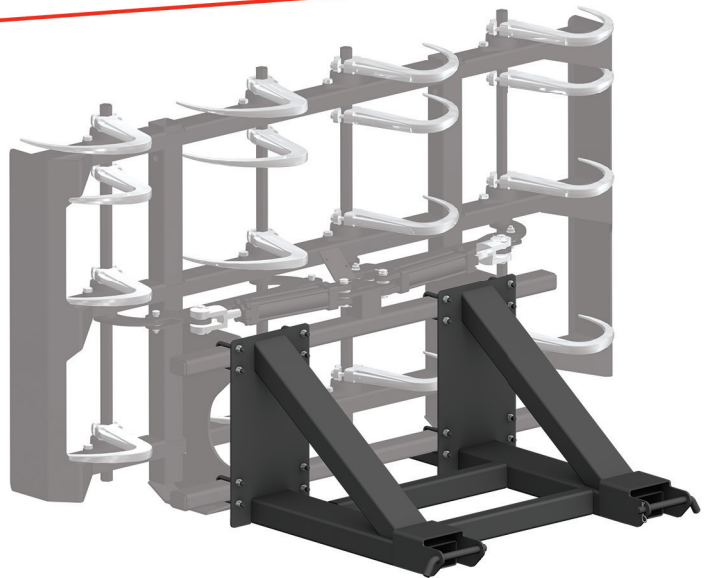
SkidSteer Extension Mount

Extends the loader mounting bracket 0.6 m (24") from the grapple to increase reach across a trailer with a skid loader.



Forklift Extension Mount

Mount for grapple to fit forklift.
Fits forklift tines up to 13.9 cm (5.5") wide, 6.3 cm (2.5") high, 106 cm (42") long.





Authorized Dealer

Phone: 1-519-887-9910 Fax: 1-519-291-9914
info@marcrestmfg.com marcrestmfg.com

45415 Perth Line 86, Listowel, Ontario, Canada, N4W 3G6