



NM ATTACHMENTS INC.

# PRODUCT CATALOG 2023

---

Excavator & Wheel Loader Attachments



EXCAVATOR ATTACHMENTS

## TOOTH BUCKETS

Tooth Buckets are used in sand, gravel, and clay and are particularly effective for trenching gas, water lines, and more.



EXCAVATOR ATTACHMENTS

## EXTREME DUTY ROCK BUCKETS

Extreme duty rock buckets are built to withstand the extreme service conditions of road building, mining, and quarry applications.



EXCAVATOR ATTACHMENTS

## PIN GRABBER BUCKETS

Pin Grabber Buckets is designed with the pin recessed into the bucket which gives the operator the convenience of using a pin grab coupler without losing breakout force.



#### EXCAVATOR ATTACHMENTS

## TRAPEZOID BUCKETS

With the trapezoid bucket, you can lower your cost by reducing the amount of backfill needed. Ideal for pipeline and trenching applications. This will reduce the cost of transportation and backfill material.



#### EXCAVATOR ATTACHMENTS

## DITCHING BUCKETS

Ditching buckets are used in slope work, ditching, grading, back-filling, land clearing, or any high volume, light material handling.



#### EXCAVATOR ATTACHMENTS

## HYDRAULIC-TILT DITCHING BUCKETS

Hydraulic Ditching Buckets take the strengths of standard ditching buckets and add the versatility of a 45 degrees tilt function on each side.



#### EXCAVATOR ATTACHMENTS

## SKELETON BUCKETS

Skeleton Buckets are used to remove rocks and debris while sifting through the soil.



#### EXCAVATOR ATTACHMENTS

## HYBRID RAKE

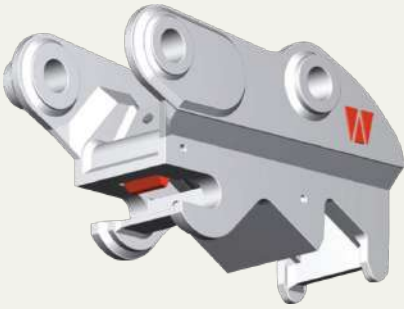
The hybrid rake gives you the options of a root rake plus you can now sift out the unwanted rocks and debris while leaving the soil behind.



#### EXCAVATOR ATTACHMENTS

## ROOT RAKES

Root Rakes are designed for moving and loading the unwanted brush, trees, stumps, and more. Root rakes are ideal for fence line and orchard removal.



#### EXCAVATOR ATTACHMENTS

## PIN GRAB COUPLERS

Pin Grab couplers are a great tool to change attachments quickly and efficiently.



#### EXCAVATOR ATTACHMENTS

## WEDGE STYLE COUPLERS

NM wedge style couplers give you the right tool you need to change buckets fast and easy.



#### EXCAVATOR ATTACHMENTS

## FROST RIPPERS

Frost Rippers are attachments for serious prying and ripping, particularly for working in frost or rock.



#### EXCAVATOR ATTACHMENTS

## THUMBS - HYDRAULIC STICK PIVOT

Stick Pivot thumbs pivot from the main bucket pin and give you a constant grip on the load when rotating the bucket.



#### EXCAVATOR ATTACHMENTS

## THUMBS - HYDRAULIC WELD-ON

Excavator Thumbs are used in various applications, such as land clearing, demolition, material handling, and much more.



#### EXCAVATOR ATTACHMENTS

## THUMBS - MECHANICAL WELD-ON

Excavator Thumbs are used in various applications, such as land clearing, demolition, material handling, and much more.



#### EXCAVATOR ATTACHMENTS

## THUMBS - PRO-LINK

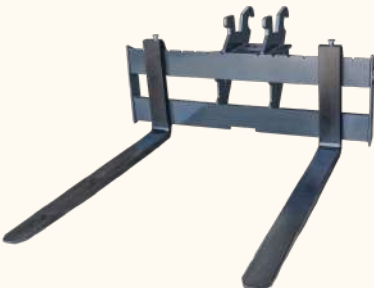
NM Pro-link thumbs give you up to 180 degrees of rotation which allows you to pick and grab objects closer to your machine. This makes it much easier and less repositioning of the machine which will increase your cycle time.



#### EXCAVATOR ATTACHMENTS

## DEMOLITION GRAPPLES

These demolition grapples are designed for severe demolition, rock handling, and waste handling applications. This attachment will be a great tool to add to your excavator toolbox.



#### EXCAVATOR ATTACHMENTS

## EXCAVATOR FORKS

Excavator Forks will give you more reach for loading and unloading materials.



#### EXCAVATOR ATTACHMENTS

## CHUCK BLADE

If you have a problem with sticky, wet soil that doesn't want to dump clean this is the right attachment you need.



#### EXCAVATOR ATTACHMENTS

## CONCRETE PULVERIZERS

The concrete Pulverizer is a heavy-duty design that will crush concrete all day long. No extra hydraulics needed. Available in multiple tine configurations. Multiple position bracket.



#### WHEEL LOADER ATTACHMENTS

## GENERAL PURPOSE BUCKETS

General Purpose Buckets are used for stockpiling and material handling operations and designed to dig and handle materials that weigh up to 3000 lbs per cubic yard in density.





#### WHEEL LOADER ATTACHMENTS

## LIGHT MATERIAL/ SNOW BUCKET

Light material buckets offer higher capacity than general-purpose buckets making them ideal for lifting snow, mulch, or other light materials.



#### WHEEL LOADER ATTACHMENTS

## WOOD CHIP BUCKET

Woodchip Buckets are specially designed for handling of sawdust and wood chips.



#### WHEEL LOADER ATTACHMENTS

## HIGH DUMP BUCKETS

The high dump bucket has a bottom pivot point that allows the operator to dump loads with a higher clearance when dumping a load.



#### WHEEL LOADER ATTACHMENTS

## SNOW BASKET

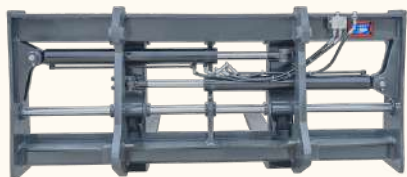
For extra high volume and high visibility snow removal.



#### WHEEL LOADER ATTACHMENTS

## FEEDLOT GRAPPLE BUCKETS

The NM Feedlot Grapple Bucket is designed for handling bales & silage. The dual grapples give you a steady bite on an uneven load.



#### WHEEL LOADER ATTACHMENTS

## WHEEL LOADER HYDRAULIC FORKS

The Hydraulic Tine Positioner forks are used in everyday lifting and moving applications with the ability to position the tines from the seat of your cab.



#### WHEEL LOADER ATTACHMENTS

## WHEEL LOADER FORKS

Loader Forks are used in everyday standard duty pallet applications.



#### WHEEL LOADER ATTACHMENTS

## SKELETON BUCKETS

The NM Loader skeleton bucket allows you to sift through the rocks and leave the dirt behind, giving you the efficiency that you need to get the job done.



#### WHEEL LOADER ATTACHMENTS

## ROOT RAKE GRAPPLE

Root Rake Grapples are designed to clear scrub and brush while reducing the amount of soil collected. The top clamp lets you take a bigger bite giving you more efficiency and reducing cost.

# CONTACT INFO:

PHONE NUMBER:

**519.698.0012**

WEBSITE:

**NMATTACHMENTS.CA**

MAIN SHOP:

**246249 SOUTHGATE  
TOWNSHIP RD 24 PROTON STATION,  
ONTARIO, N0C 1L0**

DEALER INFO:



**NM**  
**ATTACHMENTS**