



LOG LOADERS AND FORESTRY TRAILERS





WELCOME TO FIRST CLASS

The Anderson trailer and log loader series offers a full range of characteristics that result in increased productivity, lower operating costs and maximum uptime for you.

OUR STORY

25 years of innovation

Anderson Group has been manufacturing agricultural equipment to facilitate hay storage since 1988.

In February 2003, Anderson Group acquires a manufacturer of log loaders and individual wrappers in order to expand their product line.

The Wraptor is launched. An all in one equipment for hauling and wrapping hay. This system lets one man and one tractor get the job done.

Today, Anderson Group has over 120 employees. The factory is 87,000 sq ft. Anderson continues to add more products to its line-up to better meet the needs of farmers and global trends.



1988



1995



2003



2005



2007



2009



2013



2014

In January 1995, the acquisition of a laser cutter improves quality and finish of our products.

In 2005, Anderson Group develops a self-loading bale carrier for round bales. One man and one tractor can load and haul up to 20 bales at a time.

In September 2009, Anderson Group introduces the Biobaler. It can harvest most biomass and compact it into a 4' x 4' bale.

Anderson Group today produces just over 1000 units per year. We are present in over 22 countries around the world, including North and South America, the European Union, Africa, Oceania and Asia.



M-90

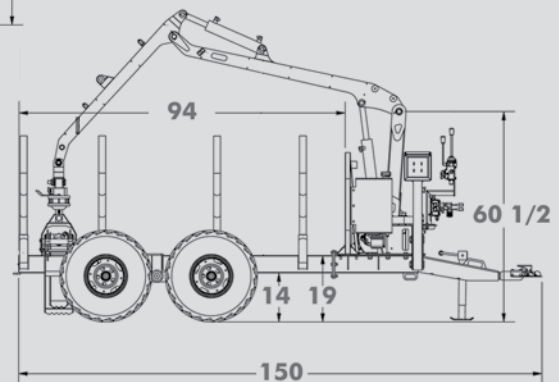
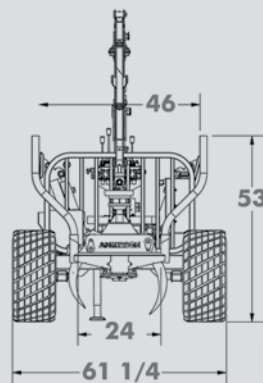


ANDERSON

LIGHTWEIGHT AND POWERFULL

The M-90 log loader offers performances that exceeds, by far, its simple dimensions. This equipment is easily maneuverable with its hydraulic adjustable tandem axle that allows to balance loads and maximize capacity, even on rough terrain. Ideal with ATV, truck or tractor.

- High density steel boom 9' 6" (2.9 m)
- Hydraulic winch with two speeds (2000 and / or 4000 lb) with steel cable 85' \times 1/4" diameter (25.9 m \times 6 mm)
- Grapple 30" (75 cm) continuous rotation (min 3" closing 7.6 cm)
- Can be pulled by an ATV (500 cc min), compact tractor and truck
- Boom Lifting capacity at full extension 700 lb (318 kg)
- Adjustable hydraulic Tandem
- 360 degree boom rotation
- Heavy duty construction



R-Flex 380 trailer with 5" \times 5" \times 3/16" frame

M-90

MULTIPURPOSE RELIABLE COMPACT



ADVANTAGES OF THE M-90

Anderson manufacturing quality, including laser cut parts. Trailer built on a beam with transverse arms. Log loader prepared to receive accessories. Can be converted wherever you are. Control the hydraulic drives easily with joysticks. The stabilizing legs offer a wide stance for better stability and higher safety. Easy to operate thanks to two control levers that control the articulated boom to easily manipulate logs even in tight areas. The engine allows the hydraulic system to operate independently.

R-Flex 380 trailer is built with a 5" x 5" x 3/16" frame and equipped with four transverse arms, protecting grid with a 1 7/8" ball hitch and Tires 26 x 12 x 12 (8-ply).

MORE AUTONOMY

An adjustable tandem axle hydraulically balances the loads on the trailer and maximize capacity also helping it to maneuver in tight areas.



FEATURES AND OPTIONS

Hydraulic dumping box with bucket



Hydraulic winch #400 with 85' x 1/4" cable



Honda power unit 5.5HP



Circuit control with joysticks



360 degree rotation grapple



Auger 6"



M-115

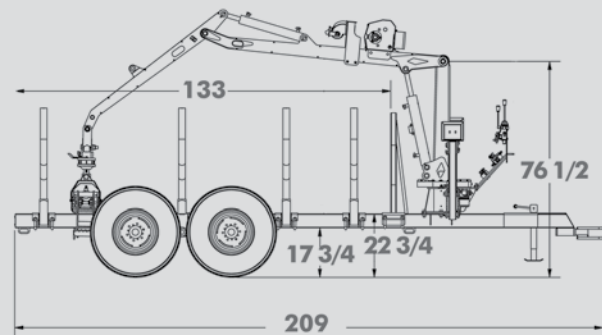
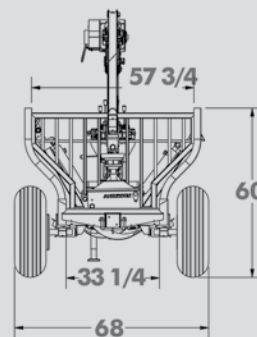


ANDERSON

VERSATILE CAPABILITIES

The M-115 model offers the versatility and power which will help you reach another level of performance. With its ability to increase loading, the 36" grapple picks up bigger logs faster. The M-115 will exceed your expectations

- High density steel boom 11' 6' (3.5 m)
- Hydraulic winch with 2 speeds (2000 and / or 4000 lb) with steel cable 85' x 1/4" diameter
- Also available: 1 Hydraulic winch speed (6500 lb) with steel cable 150' x 3/8" diameter (25.9 m x 6 mm)
- Grapple 36" (91cm) continuous rotation (min 4" 10 cm closing)
- Can be pulled by a compact tractor (45 hp Min)
- Boom lifting capacity at full extension 1106 lb (499 kg)
- 360 degrees boom Rotation
- Articulated drawbar



R-Flex 410 trailer with 5" x 5" x 1/4" frame

M-115

UNIQUE EFFICIENT UNMATCHED



ADVANTAGES OF THE M-115

This log loader designed to handle and carry large loads, while causing minimum soil compaction. The 11' 6" boom and its ability for 360 degree rotation, allows it to load and reach at greater distances. Winches are available in two models: 85' and 150'. Control the hydraulic circuits easily with joysticks. Total load capacity 20,000 lb. The stabilizing legs offer a wide stance for better stability and more safety.

The 410 R-Flex trailers are built with a 5" x 5" x 1/4" frame and equipped with four transverse arms, protecting grid and articulated draw bar. Tires 12.5L15 (10 -ply)

MORE VERSATILE

Several options are available for the M-115 in order to precisely meet your needs. Among other things, a dumping gravel box for gravel, sand, firewood etc. In addition, the 12" bucket. Earth augers 6" or 9" which can allow you to diversify your work.



FEATURES AND OPTIONS

Hydraulic winch #750
with 150' x 3/8" cable



Hydraulic winch #400 with
85' x 1/4" cable



13 HP Honda power unit



Circuit control with joysticks



360 degree rotation grapple



Articulated draw bar for
improved maneuverability
in tight areas



M-140

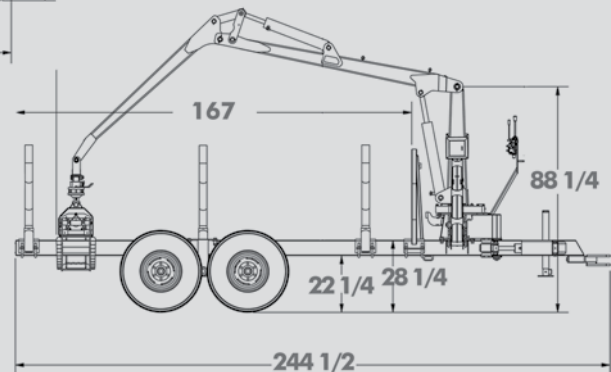
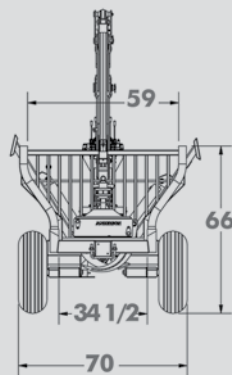


ANDERSON

SUPERIOR PERFORMANCE

The M-140 is designed to exceed the expectations of today's customer. It's engineered to be reliable every day – and durable over the long haul. The power of its 14' boom offers an ease for lifting logs when fully extended and also close to the trailer. For professional logging contractors or seasonal loggers, this model is unmatched in the industry making it the ideal choice for thinning and forest management tasks.

- High density steel boom of 14' (4.2 m) with reinforced hinges
- Hydraulic winch 1 speed (6500 lb) with steel cable 150' × 3/8" diameter (45.7 m × 9 mm)
- Grapple 48" (122 cm) continuous rotation (min 4" 10 cm closing)
- Can be pulled by a tractor (Min 60 Hp)
- Boom lifting capacity at full extension 1300 lb (589 kg)
- 360 degree boom rotation
- Articulated drawbar



M-140

R-Flex 512 trailer with 6" x 6" x 1/4" frame

QUALITY SUPERIOR RESULTS



ADVANTAGES OF THE M-140

With a total load capacity of 20,000 lb, the R-FLEX 512 trailer will work even in the most difficult conditions. The articulated pole design gets around obstacles and works easily in any terrain. The trailer is mounted on a central frame of 6" x 6" x 1/4" and provided with four transverse arms and a protective grid. Tires 12.5L15 (10-ply)

The hydraulic system of the loader M-140 is designed to withstand the heaviest loads. Its lifting capacity of 1300 lb (589 kg) fully extended and complete 360 degrees rotation will make your logging easier. The stabilizing legs offer a wide stance for better stability.

Easy to operate thanks to two control levers which control the articulated boom and easily manipulate logs.

MORE CONTROL

The location of the cylinder situated above the boom provides protection against breakage. Logs cannot be caught or damage the cylinder.

In addition, the 360 degree rotation allows loading of logs to the front of the trailer.



FEATURES AND OPTIONS

Hydraulic winch 1 speed (6500 lb) with steel cable 150' x 3/8" diameter (45.7 m x 9 mm)



Circuit control with joysticks



360 degree rotation grapple



Articulated draw bar for improved maneuverability in tight areas



13 HP Honda power unit



M-160

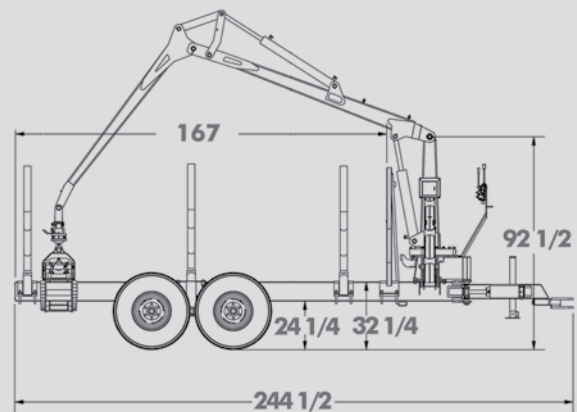
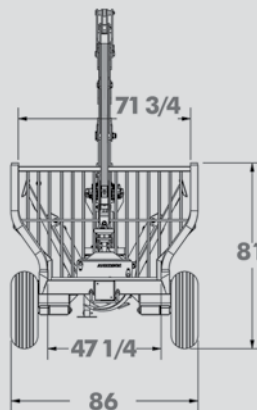


ANDERSON

OPTIMUM PERFORMANCE

For producers, professional forest contractors, and owners who always demand the most from their log loader. The M-160 provides the specifications you need to handle the work without compromise and with abundant standard features that you would normally find on industrial equipment. The M-160 is really in a class by itself.

- High density steel boom of 16' (4.88 m) with reinforced hinges
- Hydraulic winch 1 speed (6500 lb) with steel cable 150' x 3/8" diameter (45.7 m x 9 mm)
- Grapple 48" (122 cm) continuous rotation (min 4" 10 cm closing)
- Can be pulled by tractor (Min 75hp)
- Boom lifting capacity at full extension 1150 lb (521 kg)
- 360 degree boom rotation
- Articulated drawbar



R-Flex 612 trailer with 8" x 8" x 3/8" frame

M-160

VALUE DURABILITY EXTREME



ADVANTAGES OF THE M-160

The M-160 is equipped with the R-Flex 612 trailer. The M-160 is manufactured with a heavy duty frame 8" x 8" x 1/4" or the model R-Flex 612 HD 8" x 8" x 3/8". Solidly built, it supports rigorous conditions and able to withstand extreme efforts and prolonged use. Both trailer models are equipped than four transverse arms, protecting grid ,articulated pole and Tires 16.5L16.1 (10-ply). With the largest loading capacity of the range, 28,440 lb (900 kg 12) the M-160 is incredibly versatile, can be used in all stages of logging.

The 360 degree rotation of the 16' boom, is done by 2 hydraulic motors for flexibility and smoothness. The articulated draw bar allows more maneuverability in tight areas

MORE STABILITY

The load is strategically placed on the trailer in a way not to exceed the width of the wheels, allows for better load stability on uneven terrain.



FEATURES AND OPTIONS

Hydraulic winch #750 1 speed (6500lbs) with steel cable 150' x 3/8" diameter (45.7 m x 9 mm)



Circuit control with joysticks



360 degree rotation grapple



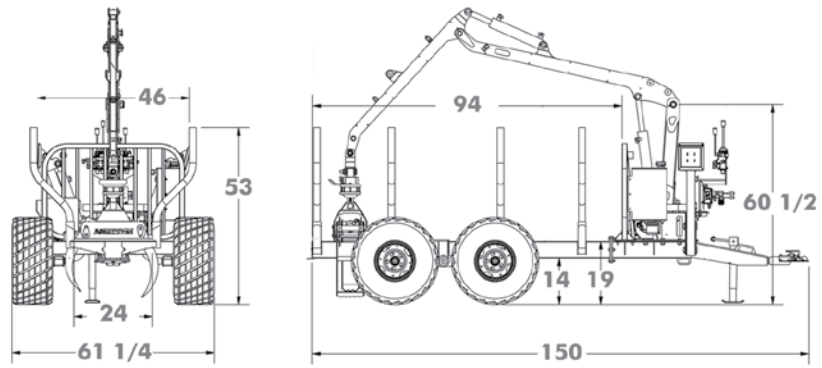
Articulated draw bar for improved maneuverability in tight areas



TECHNICAL SPECIFICATIONS

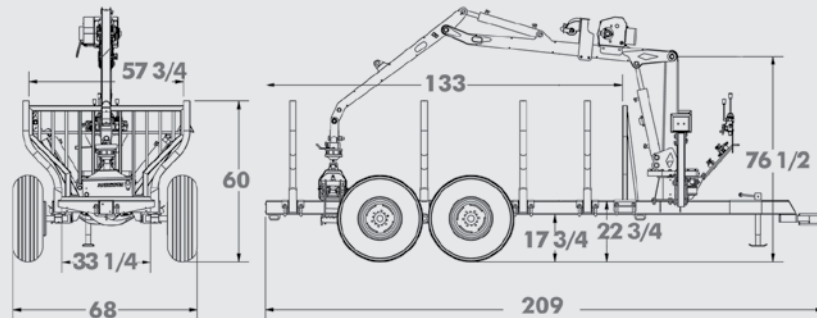
| | M-90 | M-115 | M-140 | M-160 |
|--|--|--|--|--|
| Maximum arm extension | 9' 6" (2.9 m) | 11' 6" (3.5 m) | 14' (4.2 m) | 16' (4.8 m) |
| Swing angle | 360° | 360° | 360° | 360° |
| Grapple rotation: | Continuous | Continuous | Continuous | Continuous |
| Maximum grapple opening | 30" (76.2 cm) | 36" (91.4 cm) | 48" (121.9 cm) | 48" (121.9 cm) |
| Closed grapple diameter | 3" (7.6 cm) | 4" (10.2 cm) | 4" (10.2 cm) | 4" (10.2 cm) |
| Total weight of loader with trailer | 1402 lb (636 kg) | 2341 lb (1062 kg) | 2784 lb (1263 kg) | 3192 lb (1448 kg) |
| 2-speed boom-mounted hydraulic winch | Optional – 2000 lb / 4000 lb (907 kg / 1814 kg) load capacity | Optional – 2000 lb / 4000 lb (907 kg / 1814 kg) load capacity or Optional – 6500 lb (2948 kg) load capacity | Optional – 6500 lb (2948 kg) load capacity | Optional – 6500 lb (2948 kg) load capacity |
| Steel cable | 85' (26 m); ¼" (0.6 cm) diameter | 85' (26 m); ¼" (0.6 cm) diameter | 150' (45.7 m); 3/8" (0.9 cm) diameter | 150' (45.7 m); 3/8" (0.9 cm) diameter |
| Hydraulic dumping box | Optional - 26' ³ (0.7 m ³); Raises to 45° | Optional - 45' ³ (1.2 m ³); Raises to 45° | N/A | N/A |
| Bucket | Optional | Optional | N/A | N/A |
| 5.5 HP power unit | Optional | N/A | N/A | N/A |
| 13 HP power unit | N/A | Optional | Optional | N/A |
| Hydraulic articulated drawbar | N/A | STD | STD | STD |
| Lifting capacity, full boom extension | 700 lb (318 kg) | 1106 lb (499 kg) | 1300 lb (589 kg) | 1150 lb (521 kg) |
| Total load capacity | RF-380: 9900 lb (4490 kg) | RF-410: 20,000 lb (9072 kg) | RF-512: 20,000 lb (9072 kg) | RF-612: 20,000 lb (9072 kg) RF-612HD: 28,440 lb (12,900 kg) |
| Tires | 26 × 12 × 12 (8PLY) | 12.5L15 (10 PLY) | 12.5L15 (10 PLY) | 16.5L16.1 (10 PLY) |

M-90
(RF-380)



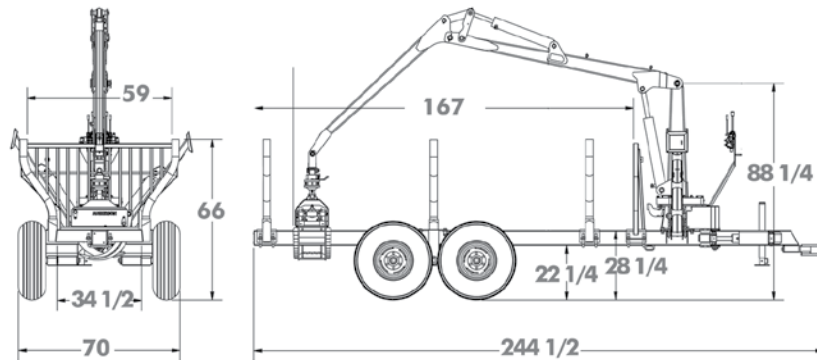
R-Flex 380 trailer with 5" x 5" x 3/16" frame

M-115
(RF-410)



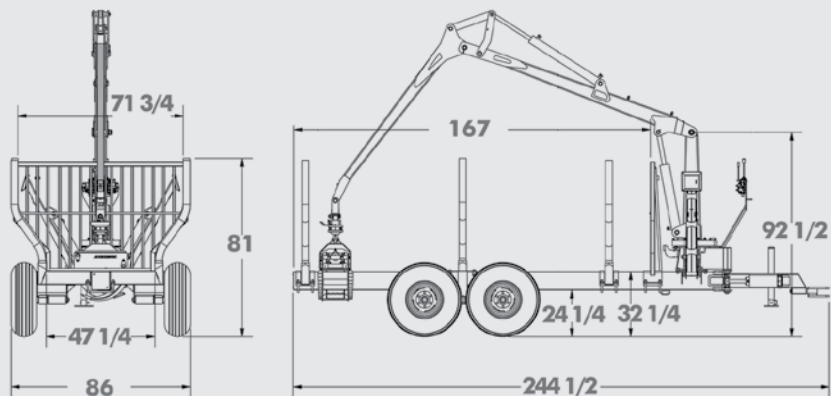
R-Flex 410 trailer with 5" x 5" x 1/4" frame

M-140
(RF-512)



R-Flex 512 trailer with 6" x 6" x 1/4" frame

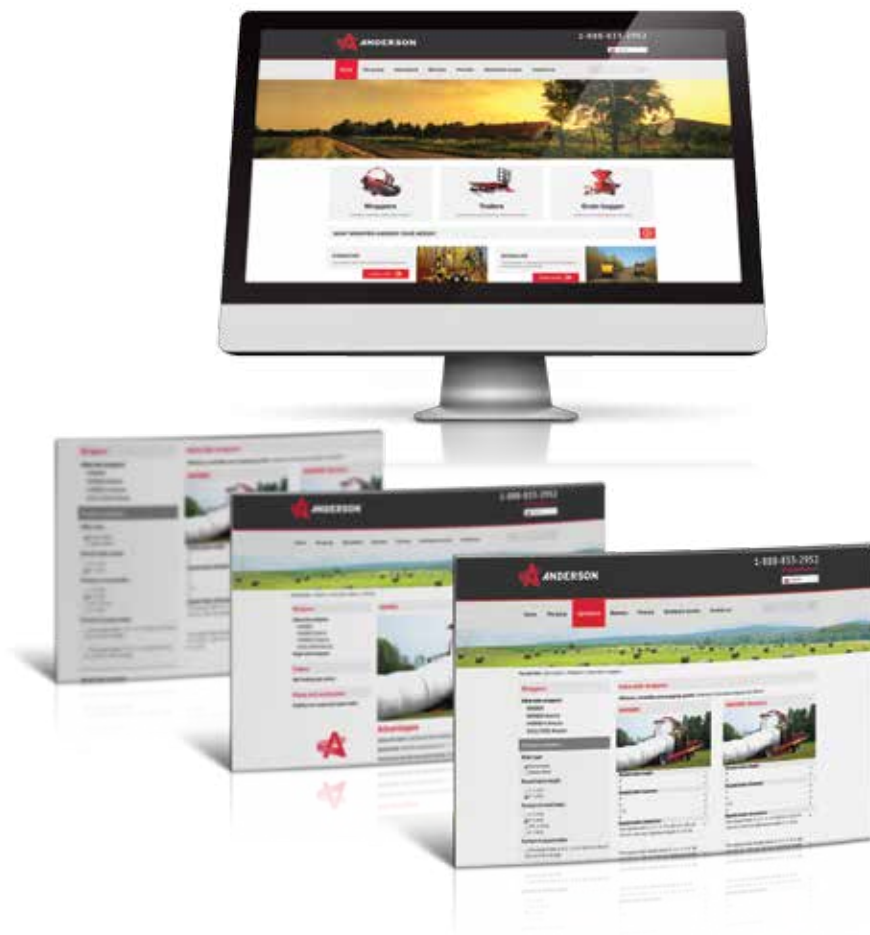
M-160
(RF-612)



R-Flex 612 trailer with 8" x 8" x 3/8" frame

WHICH PRODUCT IS RIGHT FOR YOU?

Discover the Anderson products through our new website pages and find the facts and figures to help you compare and choose the right product for your needs.



DOWNLOAD CENTER:

The Anderson database hold documents, pictures and much more. You will find plenty of usefull material for our wide range of products.

PRODUCTS:

Find extensive information on our full range of products. You will find technical information, videos and manuals.

NEWS:

Stay in touch with Anderson's news and presence at events near you.

SERVICE:

Here you will find all the service information you require from questions about our products to training documents.

www.grpanderson.com



Anderson Group

5125, rue de la Plaisance
Chesterville, Québec G0P 1J0
Canada

1 888 833-2952
1 819 382-2643

www.grpanderson.com

| | |
|---------------------------|---|
| General: | Office: 1 888 833-2952 |
| | Email: info@grpanderson.com |
| | Website: www.grpanderson.com |
| Sales: | Office: 1 888 833-2952 |
| | Email: usa@grpanderson.com |
| Parts and service: | Office: 1 888 833-2952 |
| | Fax: 1 819 382-2643 |
| | Email: service@grpanderson.com |
| Marketing: | Office: 1 888 833-2952 |
| | Email: marketing@grpanderson.com |



Visit us online:
www.grpanderson.com
1 888 833-2952

