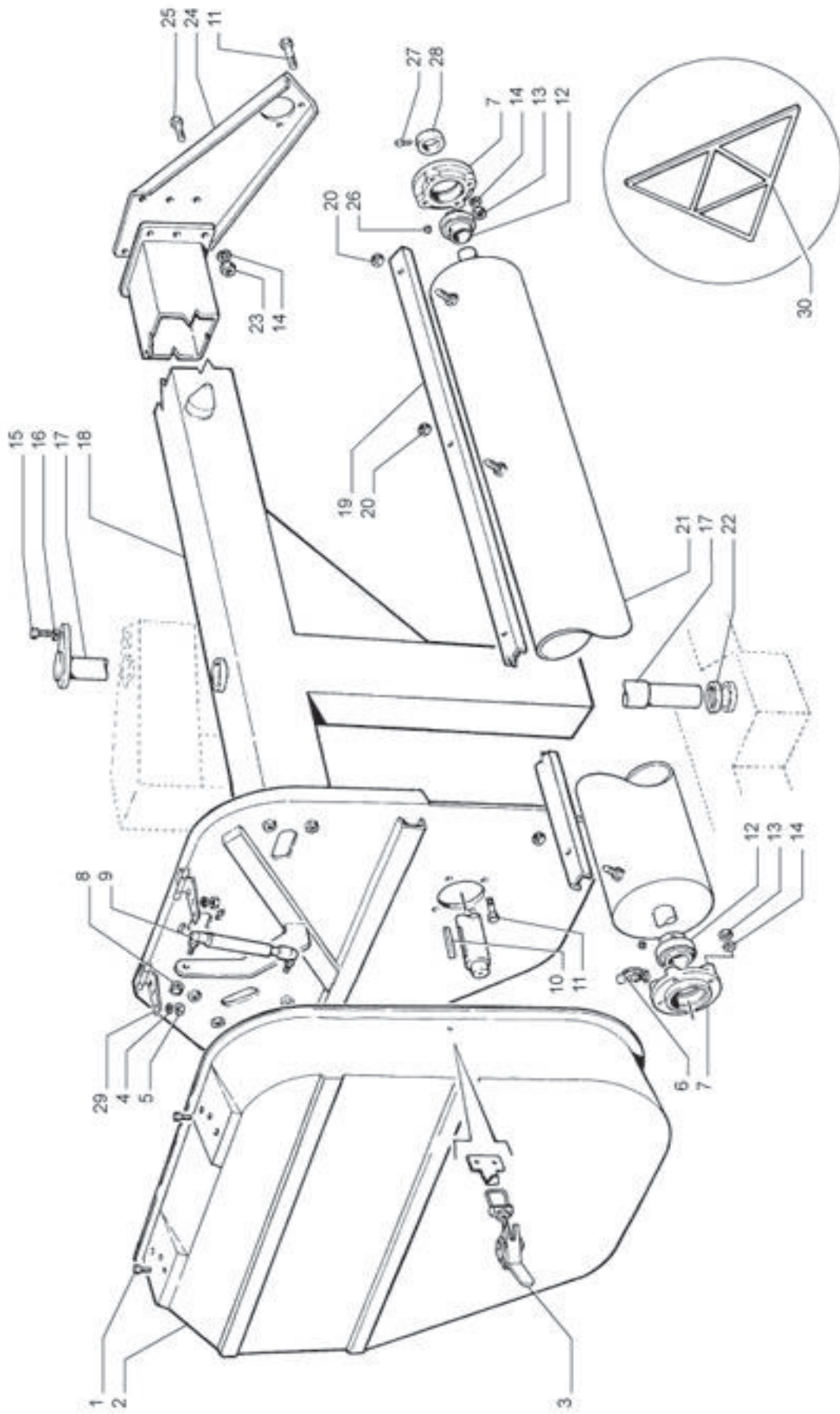


Illustration Nbr. 2 TAKE-UP ROLLER



N°	DESCRIPTION	CODE NBR.
1	Hex. bolt BSW 1/4 x 3/4 (in.)	MP1902
2	Hinged cover	MP3542
3	Chrome-plated latch	MP3707
4	Lock washer 1/4"	MP1500
5	Hex. nut BSW Gr.5 1/4"	MP1330
6	Grease nipple, straight SAE 1/4"	MP1452
7	Flange block FC 208	MP0244
8	Lock nut 5/16" NF	MP1379
9	Gas charged shock absorber	MP2847
10	Square key 10 x 55 (mm.)	MP3202
11	Hex. bolt BSW 1/2 x 1 3/4 (in.)	MP1972
12	Self-aligning bearing UC 208	MP0235
13	Hex. nut BSW 1/2"	MP1305
14	Lock washer 1/2"	MP1504
15	Hex. bolt BSW 3/8 x 1 (in.)	MP1937
16	Lock washer 3/8"	MP1502
17	Pivot pin, roller assy.	EX-18078
18	Support beam, roller assy.	
19	U-bar bag holder	EX9-210
20	Hex. nut BSW Gr.5 1/2"	MP1334
21	Roller w/ end stubs	EX-18089
22	Washer, pivot pin	EX-18016
23	Hex. nut BSW 5/8"	MP1307
24	Mounting bracket, roller	EX-18089A
25	Hex. bolt BSW 5/8 x 1 1/2 (in.)	MP1998
26	Stud bolt 5/16 x 3/8 (in.) NF	MP1413
27	Stud bolt 3/8 x 3/4 (in.)	MP1417
28	Retaining bushing, roller assy.	EX-18089B
29	T-hinge	MP3715
30	Reflective warning triangle	MP3077