

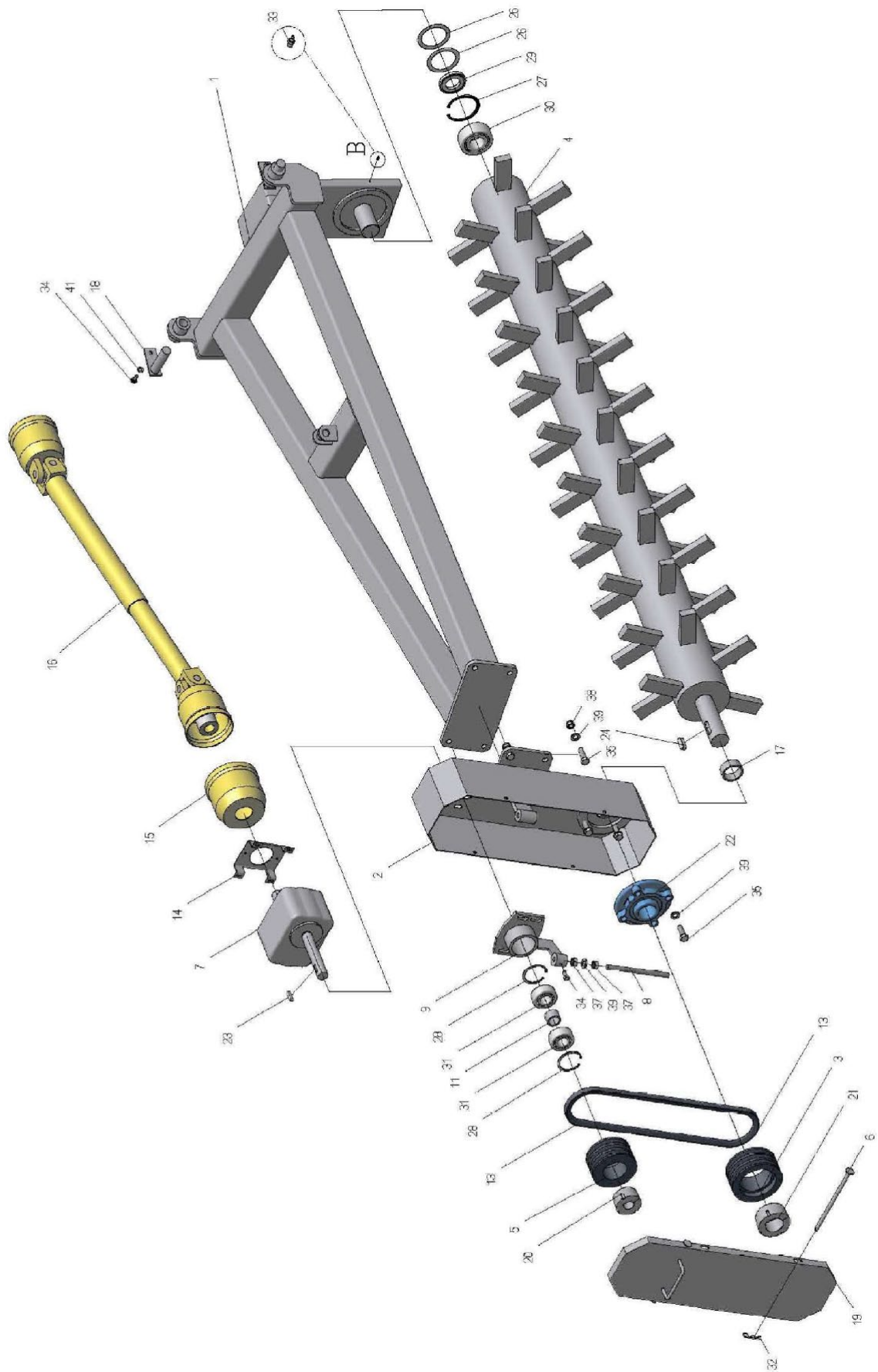


KIVI-PEKKA

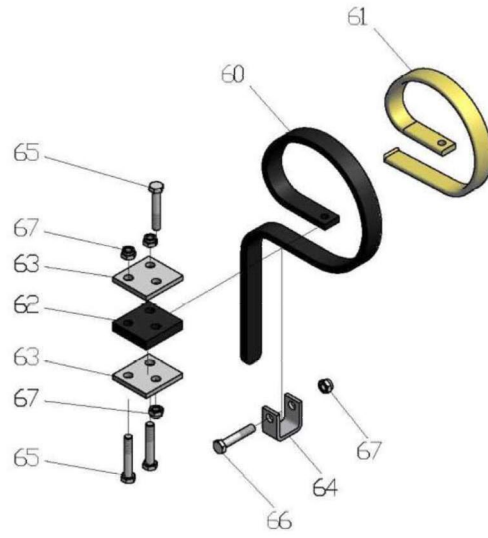
Effective date:
5/1/2020

PARTS MANUAL

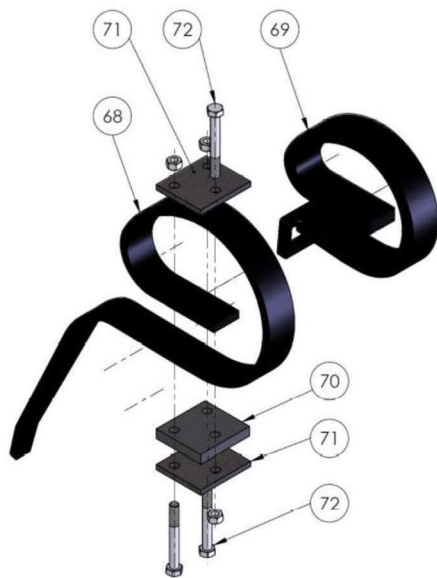
ROTOR



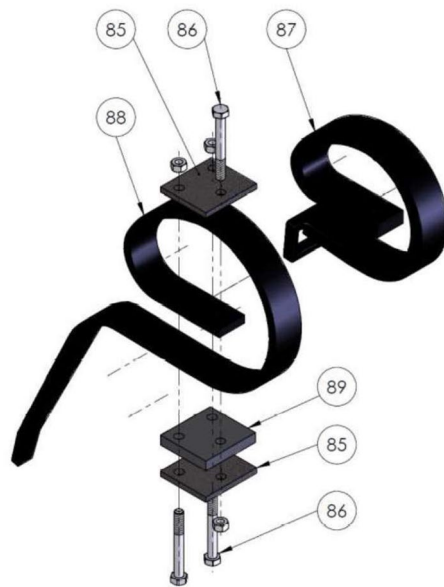
Drawing n:o	Part no:	Refn:o	ROTOR
31	12599	4130.01	Bearing 6207
28	12601	4130.02	locating ring D=72 DIN 472 Type J
5	10995	4130.03	Belt pulley SPB-5-150 K-P 4/5/6
20	N0000417	4130.04	Taper bushing (Taperlock 2517-35)
3	10994	4130.05	Belt pulley SPB-5-170 K-P 4/5/6
21	N0000429	4130.06	Taper bushing (Taperlock 3020-60)
7		4130.12R	Reversebox right
16	20723	4130.R1	PTO shaft K-P 4 L=860
16		4130.R2	PTO shaft righth K-P 5 L=1010
16	N0000430	4130.R3	PTO shaft K-P 5 left and K-P 6 right L=1310
7		4130.12L	Reversebox left
16	12846	4130.L1	PTO shaft K-P 5 right L=1010
16	15717	4130.LFLE	PTO shaft K-P 5 Flexdrum left L=1260
16		4130.L2	PTO shaft left K-P 5 L=1360
16	N0000431	4130.L3	PTO shaft left K-P 6 left, K-P 7 both L=1760
22	10917	4130.07	Bearing FYC 60 TF
30	13685	4130.08	Bearing 22210 CC/W33
27	13684	4130.09	locating ring D=90 DIN 472 Type J
29	13912	4130.10	shaft seal 90/50/10
26	N0000432	4130.11	Z-lamella Z210
13	12757	4130.13	Rotor Belt SPB1600
9	16816	4130.15	Upper bearing inc. bearings
	11385	5130	Rotor spike S=20
32		4130.16	Pin \varnothing 3mm
19		4130.17	Cover of end box
6	11180	4130.18	Pin for end box cover
11		4130.19	Sleeve of upper bearing
35	N0002102	4130.20	Bolt M16 x 50 + Nut + Washer
39		4130.21	Washer A16
38		4130.22	Nut M16
17	11179	4130.23	Rotor outside sleeve
24	N0003602	4130.24	Key 18x11x65
4	13168	4130L	Rotor K-P 4 left without bearings
4	12256	5130L	Rotor K-P 5 left without bearings
4	13176	6130L	Rotor K-P 6 left without bearings
4	13169	4130R	Rotor K-P 4 right without bearings
4	11393	5130R	Rotor K-P 5 right without bearings
4	13174	6130R	Rotor K-P 6 right without bearings
33		4130.25	Grease nipple M6 90°
18	11612	4130.26	Joint pin for rotor inc. Bolt M12 + Nut
34		4130.27	Bolt M12 x 30
41		4400.08	Nut M12



TINES 32mm



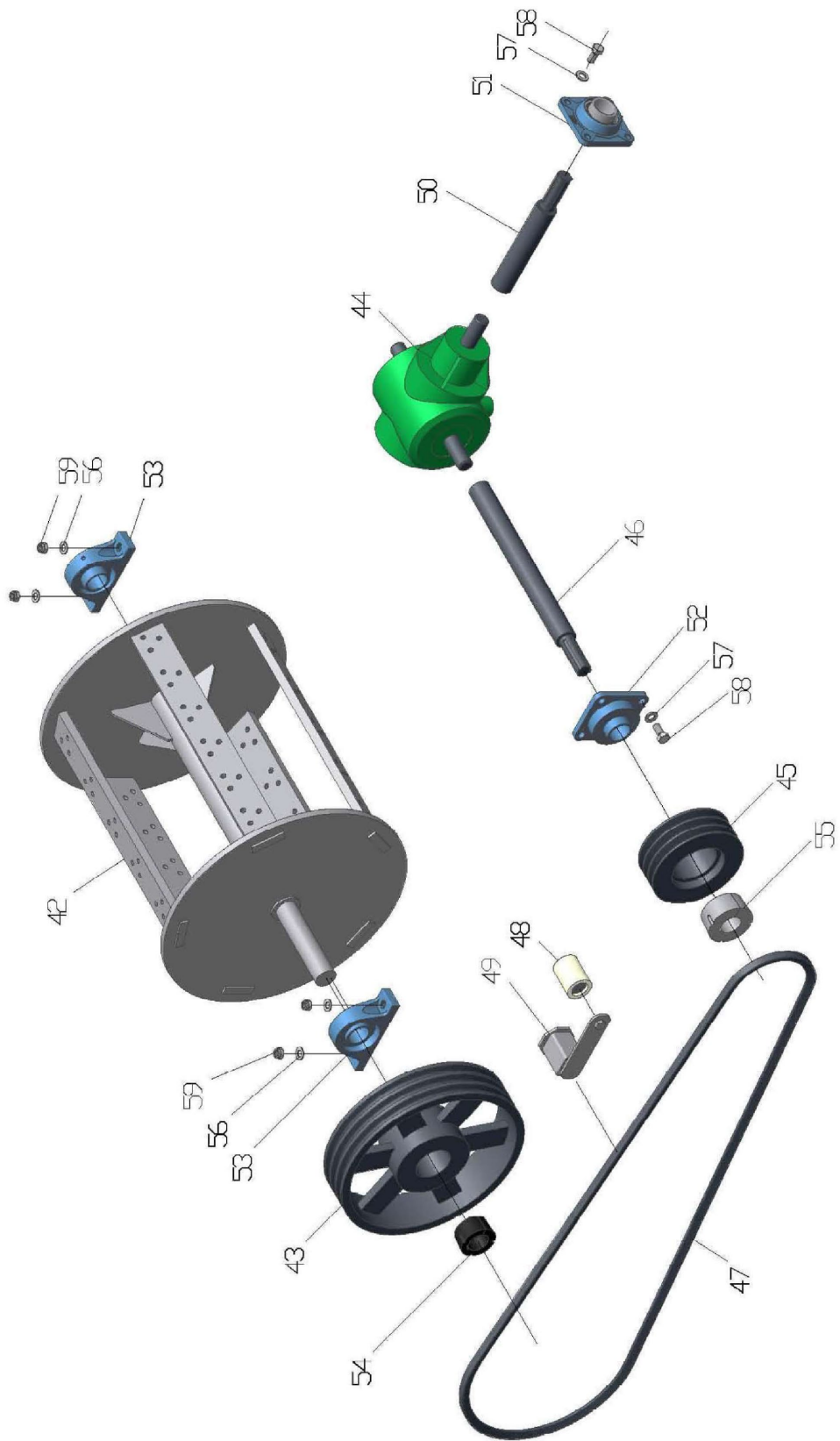
TINES 45mm



TINES 50mm

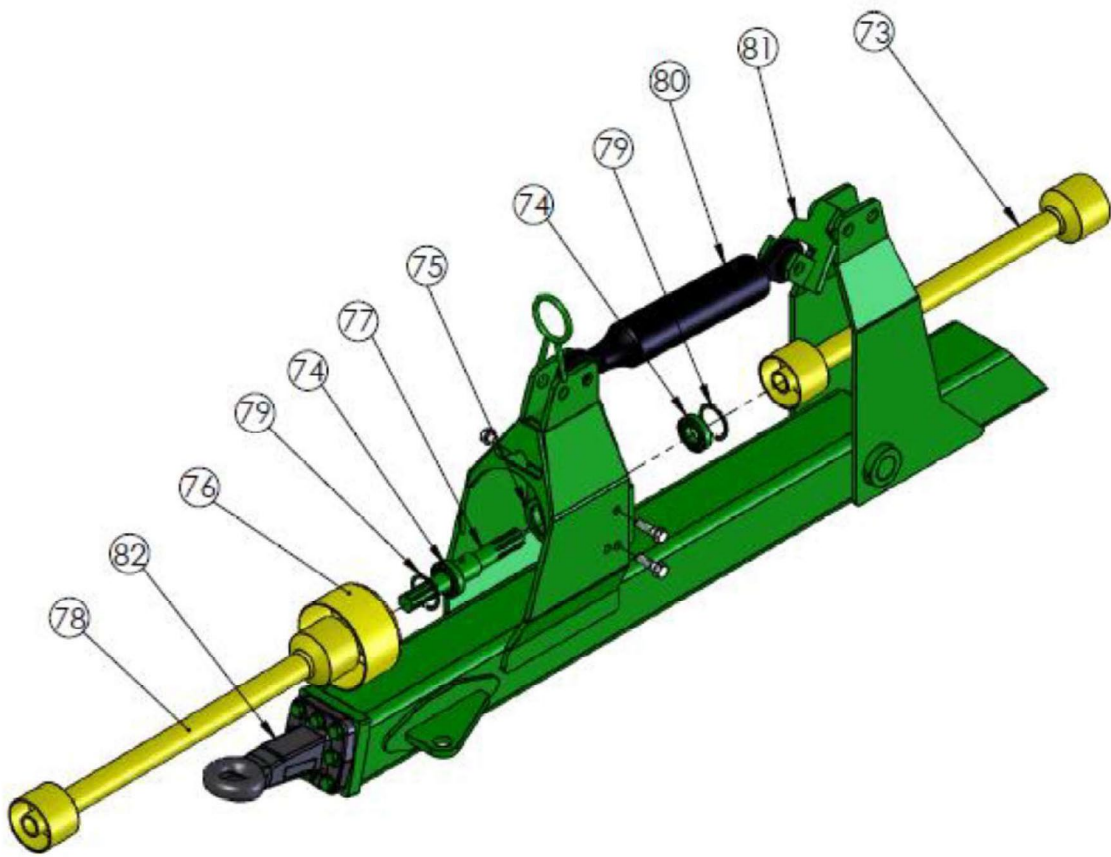
Drawing n:o	Part no:	Refn:o	LIFTING DRUM
53	10459	4400.01	Bearing SYJ 50 TF
56		4400.14	Washer A20
59		4400.15	Nut M20
72	N0000443	4400.07	Bolt M12x100 10.9 with nut
	N0000444	4400.02A	Lifting Drum tine 32mm
	N0000445	4400.03A	Auxiliary tine 32mm
	N0000446	4400.04A	Steel plate for 32mm tine
	N0000447	4400.06A	Rubber plate for 32mm tine
68	10443	4400.02B	Lifting Drum tine 45mm
69	10444	4400.03B	Auxiliary tine 45mm
71	13056	4400.04B	Steel plate for 45mm tine
70	10043	4400.06B	Rubber plate for 45mm tine
88	10447	4400.09	Lifting drum tine 50mm
87	10448	4400.10	Auxiliary tine tine 50mm
85	10445	4400.11	Steel plate for 50mm tine
89	10044	4400.12	Rubber plate for 50mm tine
86	N0000448	4400.13	Bolt M16x110 10.9 with nut

TRANSMISSION



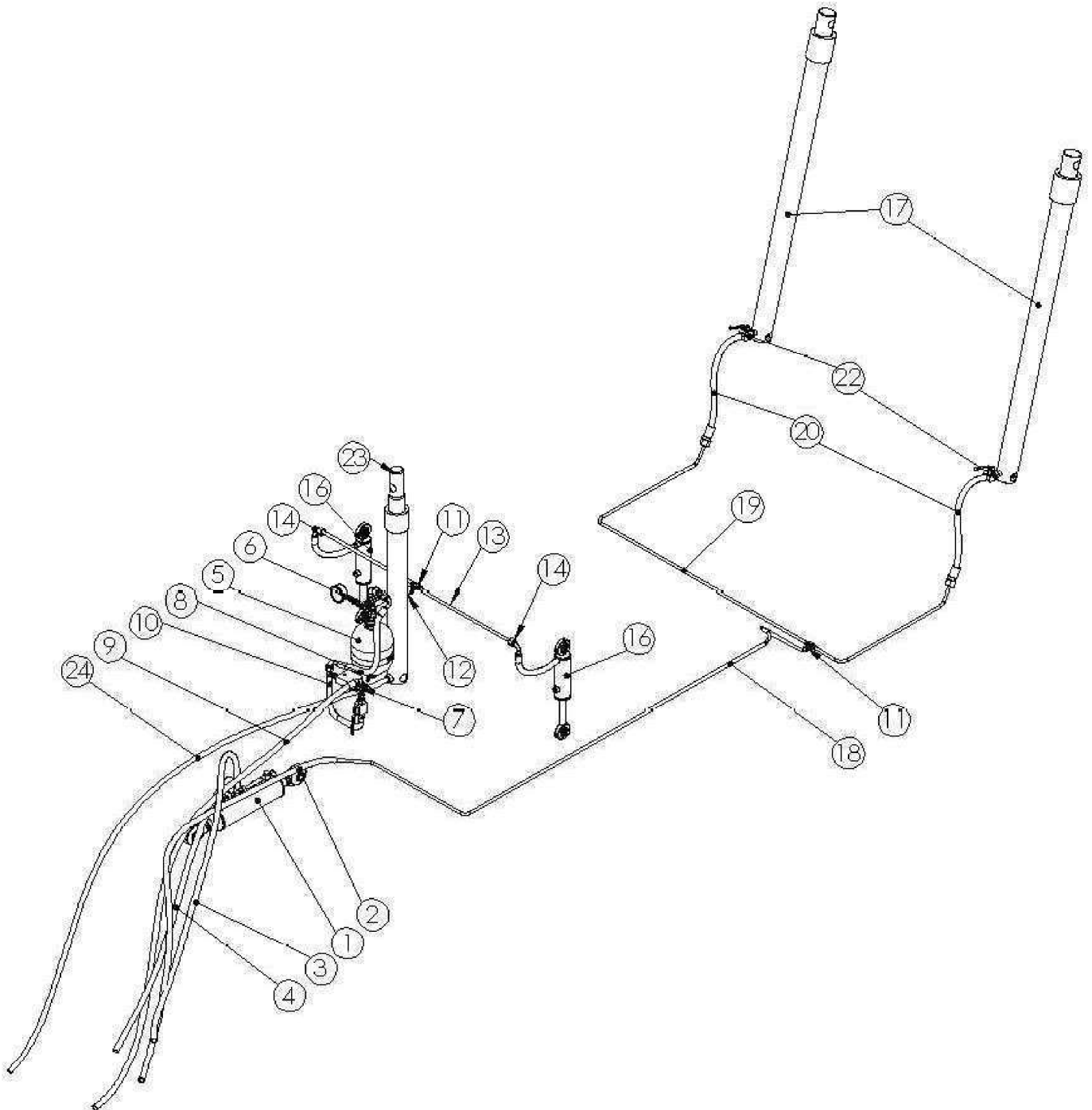
Drawing n:o	Part no:	Refn:o	TRANSMISSION
51	10563	4600.01	Bearing FYJ 35 TF
50	11193	4520.01	Gearbox axle L=240
		4520.02	Guard from angle transmission
		4520.03	Front axle 3-point linkage
44	10505	4600.02	Angle transmission T-278A
46	12160	4520	Transverse-axle K-P 4
46	10543	5520	Transverse-axle K-P 5/6 right
52	10528	4600.03	Bearing FYJ 50 TF
45	10508	4600.04	Belt pulley SPC-3-224
55	N0000449	4600.05	Taper bushing (Taperlock 3020-50)
43	12814	4600.06	Belt pulley SPC-3-450
54	N0000450	4600.07	Taper bushing (Taperlock 3535-50)
47	12815	4600.08	Belt SPC 3000
48	10838	4600.10	Tensioner roll
49	10837	5600.09	Tensioner (Rosta 38)
60	12384	6520	Transverse-axle left K-P 4 left
57		4600.13	Washer A16
58	N0002102	4600.14	Bolt M16 x 50 + Nut + Washer

DRAWBAR



Drawing n:o	Part no:	Refn:o	DRAWBAR
73	N0000203	4700.08	PTO-shaft rear T50 0610 N112 112
74	12599	4130.01	Bearing 6207
75	12598	4700.10	Bearing block
76	10419	4700.11	PTO-shaft guard
77	12603	4700.12	Bearing shaft inc. Bushing
78		4700.13	PTO-shaft front T50 1360 EN C12 112
79	12601	4130.02	locating ring D=72 DIN 472 Type J
80	12974	4700.16	Hydraulic cylinder 80/40-230 K-P 4/5/6
81	11207	4700.17	Spider
82	11378	4700.14	Scharmüller ring

FLEXDRUM AND HYDRAULICS



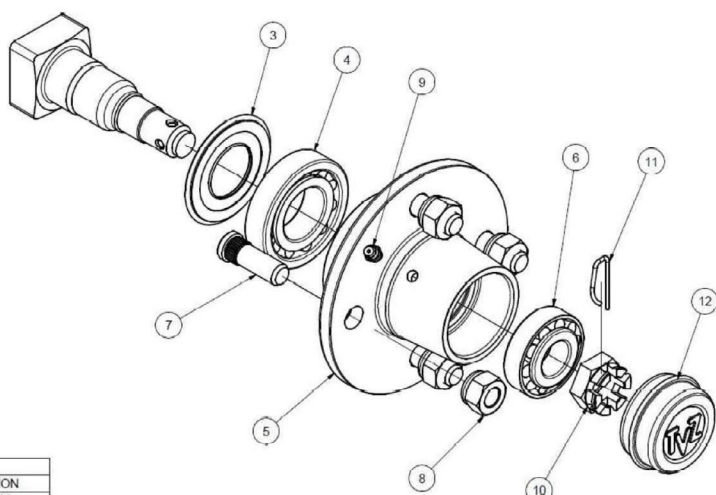
Drawing n:o	Part no:	Refn:o	HYDRAULICS
2	N0000484	4800.07A	Hydraulic hose
3	N0000484	4800.07B	Hydraulic hose
4	N0000484	4800.07C	Hydraulic hose
8	N0000484	4800.07D	Hydraulic hose
9	N0000484	4800.07E	Hydraulic hose
10	N0000484	4800.07F	Hydraulic hose
11	N0000484	4800.10	T-connector
12	N0000484	4800.07G	Hydraulic hose
13	N0000484	4800.05A	Hydraulic pipes
14	N0000484	4800.07H	Hydraulic hose
17	N0000451	4800	Stone container cylinder 70/63 old model
18	N0000484	4800.05B	Hydraulic pipes
19	N0000484	4800.05C	Hydraulic pipes
20	N0000484	4800.07I	Hydraulic hose
22	N0000698	4800.08	Container lock valve
23	11108	4800.06	Hydraulic lift cylinder K-P 4/5/6 HD
24	N0000484	4800.07J	Hydraulic hose
	N0003164	4800.01	Seal kit for hydraulic lift
	N0002982	4800.02	Seal kit for lifting cylinder 70/63 old model
	N0003286	4800.03	Seal kit for lifting cylinder 75/70
		4800.04	Seal kit for drawbar

SIEVE K-P 4/5/6



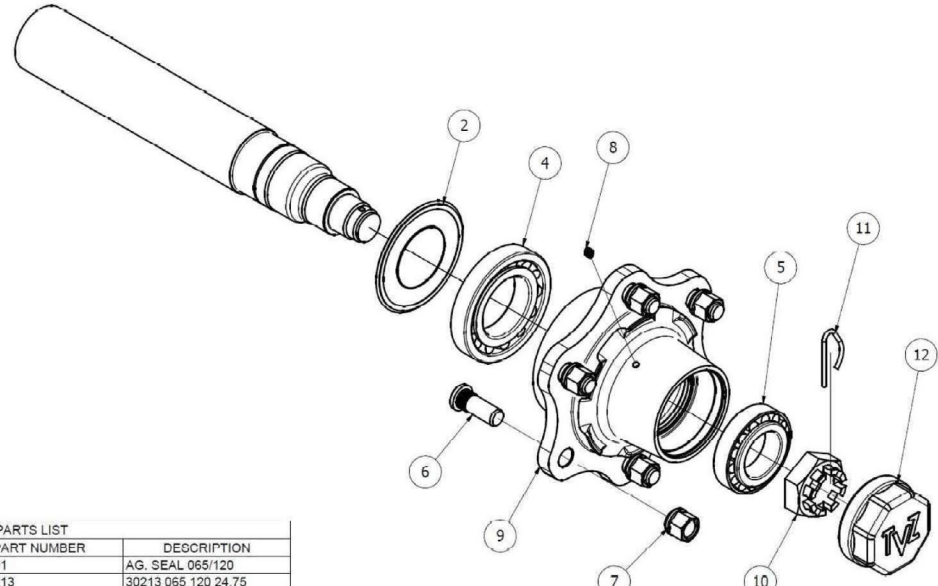
Drawing n:o	Part no:	Refn:o	SIEVE
	14553	4300.50	Sieve 50 mm (K-P 4)
	14633	4300.40	Sieve 40 mm (K-P 4)
	16789	4300.35	Sieve 35 mm (K-P 4)
	17128	5300.50	Sieve 50 mm (K-P 5)
	17132	5300.40	Sieve 40 mm (K-P 5)
		5300.30	Sieve 30 mm (K-P 5)
	17126	5300.35	Sieve 35 mm (K-P 5)
	13752	4300.10	Pin for sieve

SUPPORT WHEEL AXLE



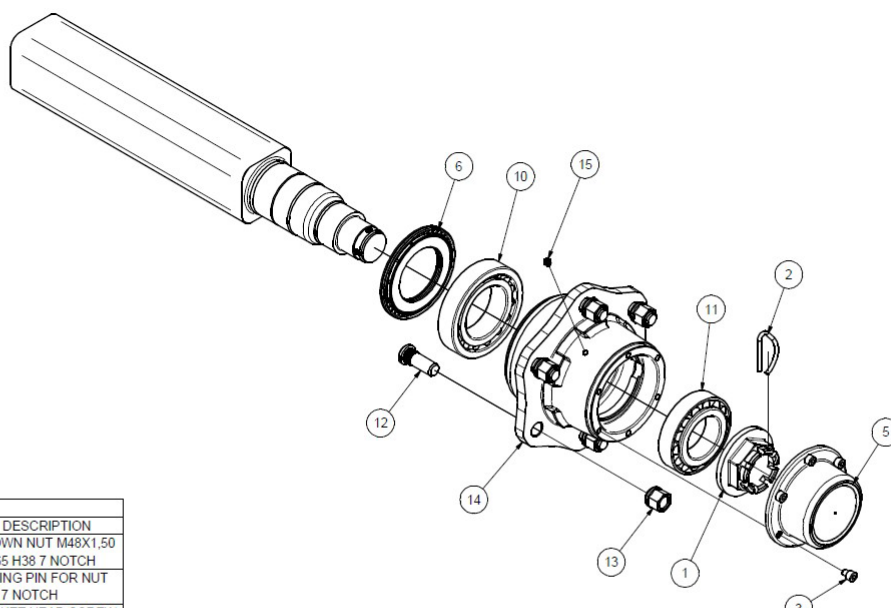
Parts List			
ITEM	QTY	PART NUMBER	DESCRIPTION
3	1	5410621	AG. SEAL 030/062
4	1	59130206	30206 030 062 17.25
5	1	61LBDA0011	HUB H04 12 047-062 062-095 FOR GREASE NIPPLE
6	1	59130204	30204 020 047 15.25
7	4	57112B1	STUD M12X1.50 L040
8	4	57312B1	STUD NUT M12X1.5 WR 19
9	1	9860611	GREASE NIPPLE STRAIGHT M06x1.00
10	1	57518R1	CROWN NUT M18X1.50 WR27 H16
11	1	98201	SPRING PIN FOR NUT M18
12	1	56104705	CAP ø47 TVZ

6-BOLT AXLE



PARTS LIST			
ITEM	QTY	PART NUMBER	DESCRIPTION
2	1	5411201	AG. SEAL 065/120
4	1	59130213	30213 065 120 24.75
5	1	59132210	32210 050 090 24.75
6	6	57118B1	STUD M18x1.50 L054
7	6	57318B4	STUD NUT M18x1.50 CH24 GERMAN TYPE
8	1	9860611	GREASE NIPPLE STRAIGHT M06x1.00
9	1	61L6NA001CF1	HUB H06 18 090-120 160-205 NOT RIBBED FOR GREASE NIPPLE T.F.
10	1	57539B2	CROWN NUT M39X1.50 WR60 H30
11	1	50205	SPRING PIN FOR NUT M39
12	1	56209003T	CAP 090 M092X2.00 TVZ

6-BOLT AXLE (700/50R26,5 Nokia ELS)

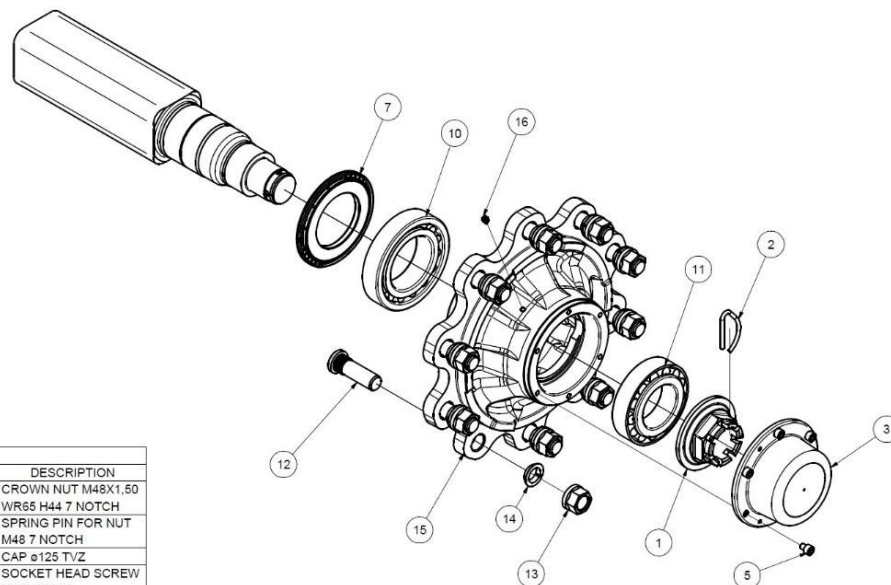


Parts List			
ITEM	QTY	PART NUMBER	DESCRIPTION
1	1	57548B5	CROWN NUT M48X1,50 WR65 H38 7 NOTCH
2	1	58209	SPRING PIN FOR NUT M48 7 NOTCH
3	6	96308A0101	SOCKET HEAD SCREW
5	1	56111002	CAP 110 BOLT ON TVZ
6	1	5441301	INDUSTRIAL SEAL 077/130
10	1	59132215	32215 075 130 33,25
11	1	59132212	32212 060 110 29,75
12	6	57118B1	STUD M18x1,50 L054
13	6	57318B4	STUD NUT M18x1,50 CH24 GERMAN TYPE
14	1	61L6RD0021	HUB H06 18 110-130 160-205 FOR GREASE NIPPLE
15	1	9860611	GREASE NIPPLE STRAIGHT M06x1.00

COAT		REF	SCALE
LENGTH WITHOUT TOLERANCE	MATERIAL - HARDNESS	(A3)	1:4
DIAMETER WITHOUT TOLERANCE	DATE	DRAWN	APPROVED
RADIUS WITHOUT DIMENSIONS	22/04/20	22/04/20	REPLACE DATE
OWNER	NAME	MAGALINI A.	MERTIR.
V	SEMIASSE Q090X500 RD06 160-205 S018 SENZA FRENO GER TAPPO TVZ STUB AXLE S090X500 RD06 160-205 S018 WITHOUT BRAKE GER TVZ CAP		
DWG. N°		SHEET	LAST REV
S09006671000025_SPARE		1/1	22/04/20
			0

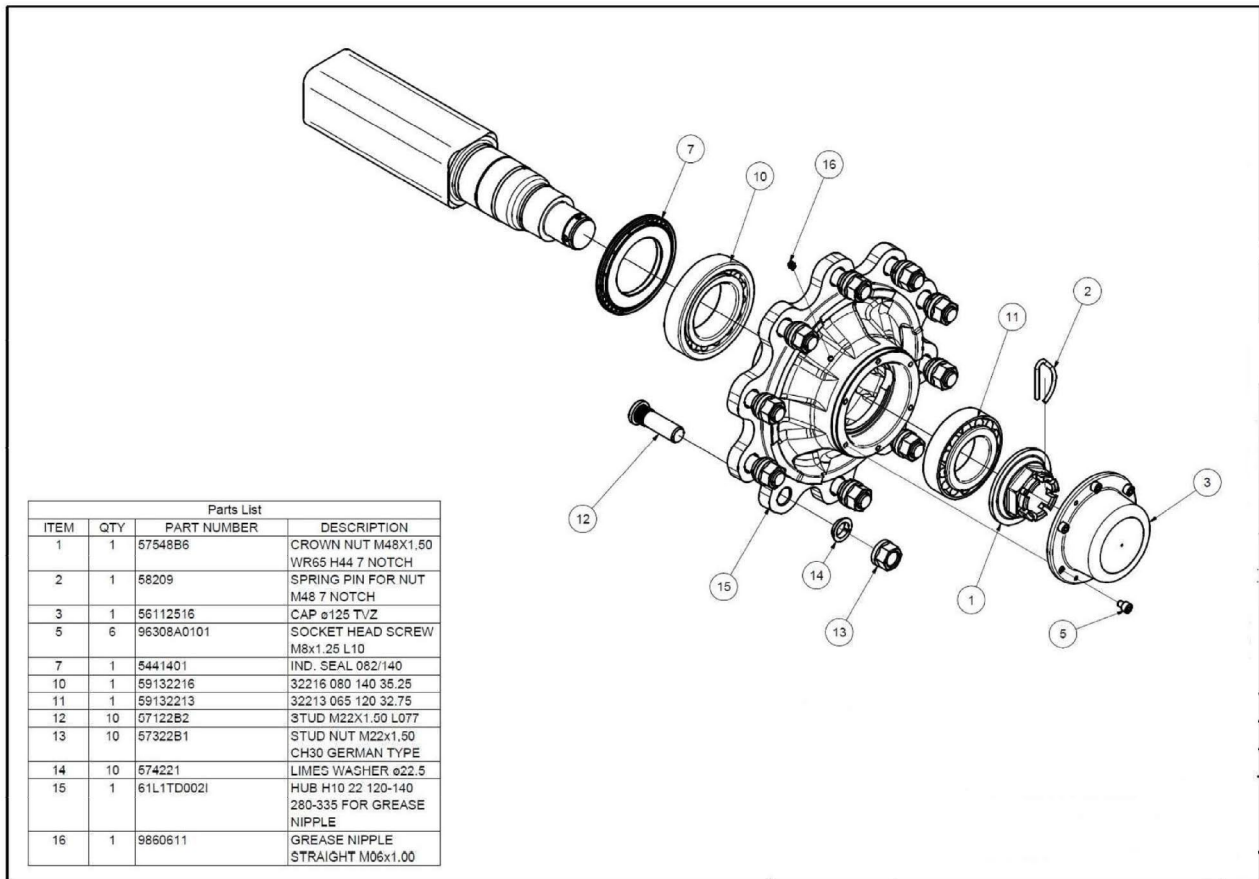
La ditta si riserva la proprietà di questo disegno. NON DIVULGARE. Confidenzial copyright reserved NO COPYING OR EXHIBITING.

10-BOLT AXLE

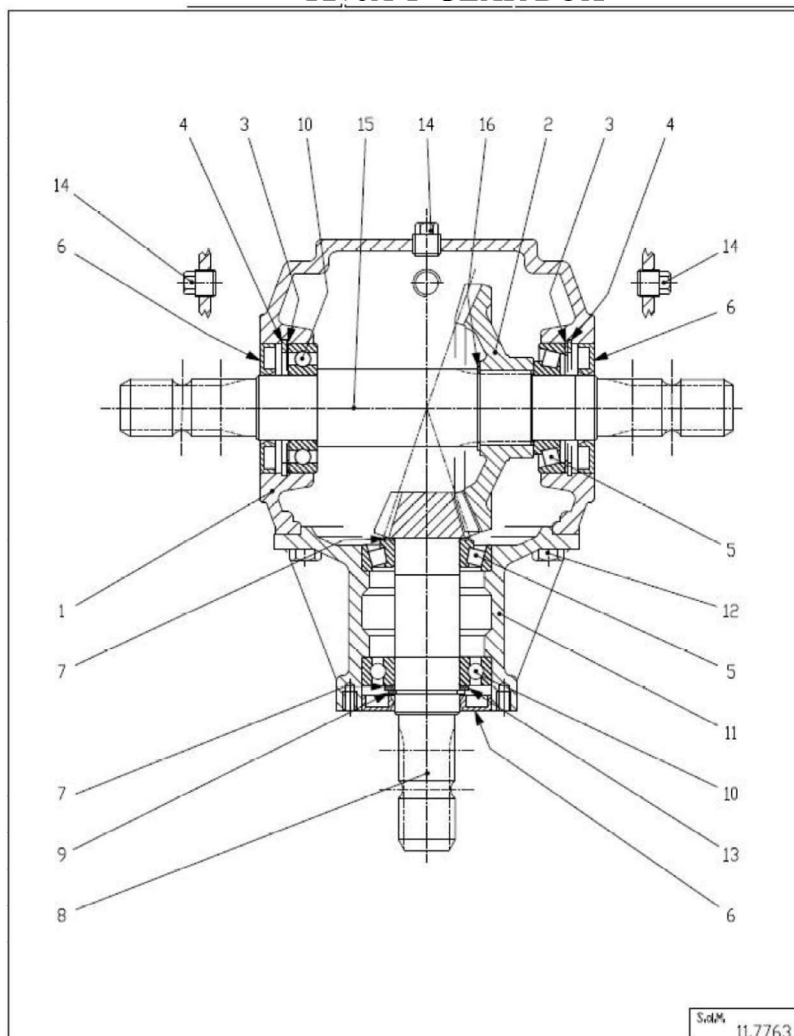


Parts List			
ITEM	QTY	PART NUMBER	DESCRIPTION
1	1	57548B6	CROWN NUT M48X1,50 WR65 H44 7 NOTCH
2	1	58209	SPRING PIN FOR NUT M48 7 NOTCH
3	1	56112516	CAP ø125 TVZ
5	6	96308A0101	SOCKET HEAD SCREW M8x1,25 L10
7	1	5441401	IND. SEAL 082/140
10	1	59132216	32216 080 140 35,25
11	1	59132213	32213 085 120 32,75
12	10	57122B2	STUD M22x1,50 L077
13	10	57322B1	STUD NUT M22x1,50 CH30 GERMAN TYPE
14	10	574221	LIMES WASHER ø22,5
15	1	61L1TD0021	HUB H10 22 120-140 280-335 FOR GREASE NIPPLE
16	1	9860611	GREASE NIPPLE STRAIGHT M05x1.00

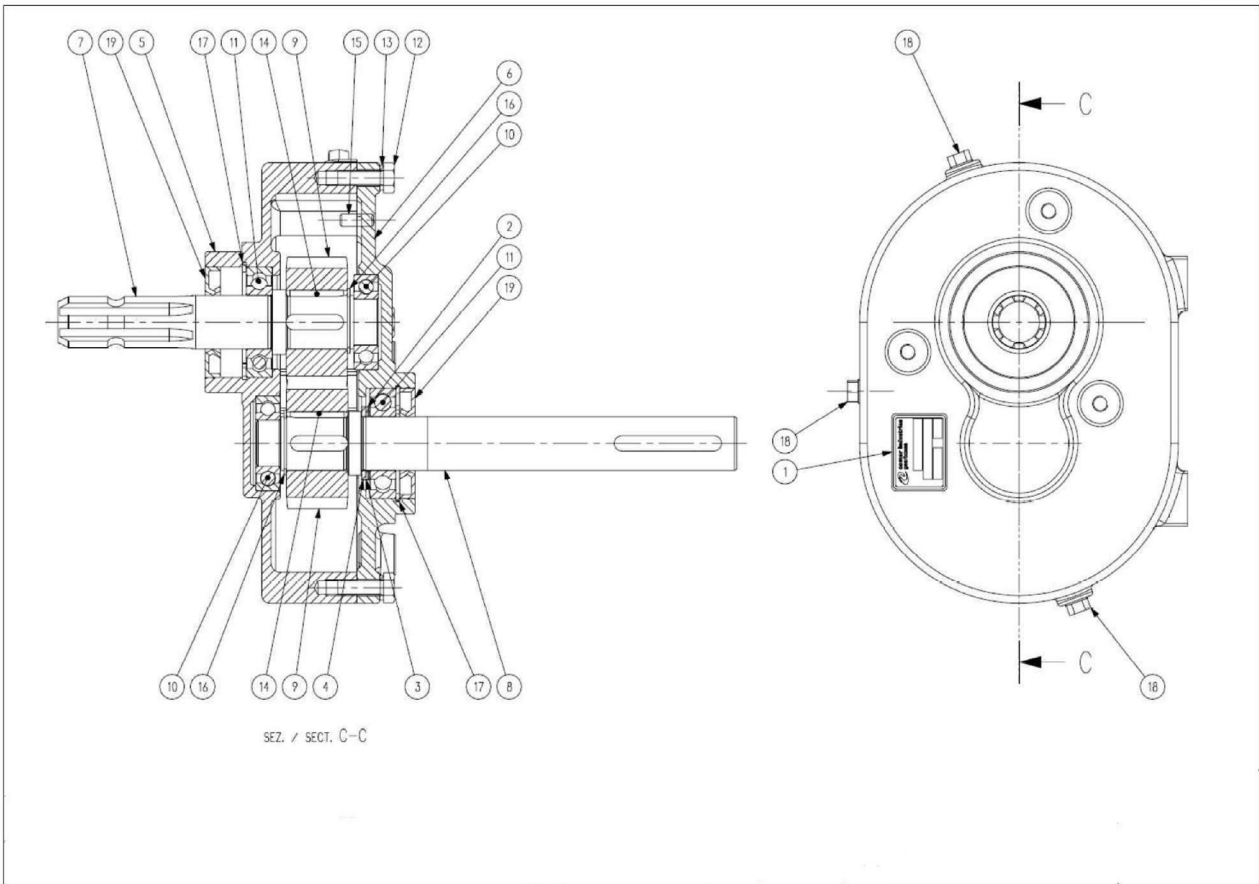
10-BOLT AXLE



T278A T-GEAR BOX



A-3A REVERSE GEAR BOX



	Part no:	Refn:o	SUPPORT WHEEL HUB
3		B372	5410621 Seal 030/062
4		B359	59130206 Bearing 30206
5		B411	61LBDA001I Hub for 4-bolt axle
6		B360	59130204 Bearing 30204
7		B412	57112B1 Bolt M12 L40
8		B413	57312B1 Nut M12
9		B414	9860611 Grease nipple M6
10		B415	57518B1 Crown nut M18
11		B416	58201 Spring pin
12		B157	56104705 Cap 4-bolt hub
	Part no:	Refn:o	6-BOLT WHEEL HUB 560/60-22,5 standard
2		B374	5411201 Seal for hub 065/120
4		B418	59130213 Bearing Ø65 30213
5		B419	59132210 Bearing Ø50 32210
6		B420	57118B1 Bolt M18 L54
7		B422	57318B4 Nut M18
9		B423	61L6NA001CFI Hub for 6-bolt axle
10		B424	57539B2 Crown nut M39
11		B425	58205 Spring pin
12		B426	56209003T Cap M92
	Part no:	Refn:o	6-BOLT WHEEL HUB 700/50R26,5 Nokia ELS
1		B502	57548B5 CROWN NUT M48X1,50 WR65 H38 7
2		B503	58209 SPRING PIN FOR NUT M48 7 NOTCH
3		B504	96308A0101 SOCKET HEAD SCREW
5		B505	56111002 CAP 110 BOLT ON TVZ
6		B506	5441301 INDUSTRIAL SEAL 077/130
10		B507	59132215 32215 075 130 33,25
11		B508	59132212 32212 060 110 29.75
12		B509	57118B1 STUD M18x1,50 L054
13		B510	57318B4 STUD NUT M18x1,50 CH24 GERMAN
14		B511	61L6RD002I HUB H06 18 110-130 160-205
15		B512	9860611 GREASE NIPPLE STRAIGHT M06x1.00
	Part no:	Refn:o	10-BOLT WHEEL HUB
1		B427	57548B6 Crown nut M48
2		B428	58209 Spring pin
3		B300	5611251 Cap Ø125
5		B429	96308A0101 Head srew M8 L10
7		B373	5441401 Seal for hub 082/140
10		B430	59132216 Bearing Ø80 32216

11		B431	59132213 Bearing \varnothing 65 32213
12		B395	57122B2 Bolt M22 L77
13		B432	57322B1 Nut M22
14		B433	574221 Washer \varnothing 22,5
15		B434	61L1TD002I Hub for 10-bolt axle

	Part no:	Refn:o	T-GEAR BOX
	N0002604	B187	8.0.9.00024 Bearing 30208
	N0003613	B441	8.7.3.00027 Seal BA 40x80x10
	N0003614	B335	8.0.1.00871 Bearing 6208
	N0002586	B144	0.278.5019.00 Front axle Z12 M4,5
	N0003542	B438	0.278.3002.00 Side axle 1"3/8 Z6
	Part no:	Refn:o	REVERSE GEAR BOX
	N0003363	B439	0.602.2000.04 Shaft
	N0003309	B440	0.602.2212.00 Shaft
	12853	B263	8.0.1.00010 Bearing 6206
	12599	B3	8.0.1.00025 Bearing 6207
	N0003617	B324	8.7.3.00055 Oil seal 35x72x10 NBR

	Part no:	Refn:o	ROTATION QUARD
	N0000173	B253	Sensor and cable K-P 4 rotor
		B220	Sensor and cable K-P 4 rotor red
	N0000174	B126	Sensor and cable K-P 5 rotor
		B221	Sensor and cable K-P 5 rotor red
	N0000175	B75	Sensor and cable K-P 6 rotor
		B86	Sensor and cable K-P 6 rotor red
	N0000178	B254	Sensor and cable K-P 4/5/6 main usage yellow
	N0000177	B228	Sensor and cable K-P 4/5/6 lifting drum black
	N0000179	B186	Rotationquard control box
	N0000453	B188	Magnet
	Part no:	Refn:o	ACCESSORIES
	11388	B246	Led backlight